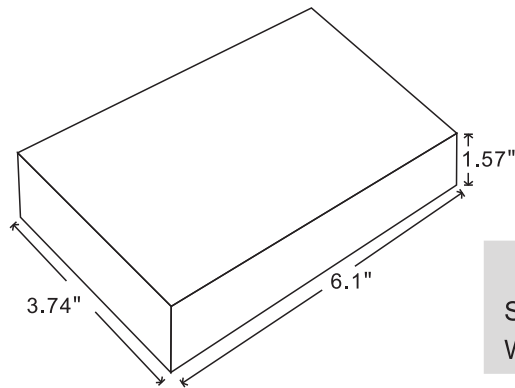


NOTE: CARTON MATERIAL MUST BE A=A

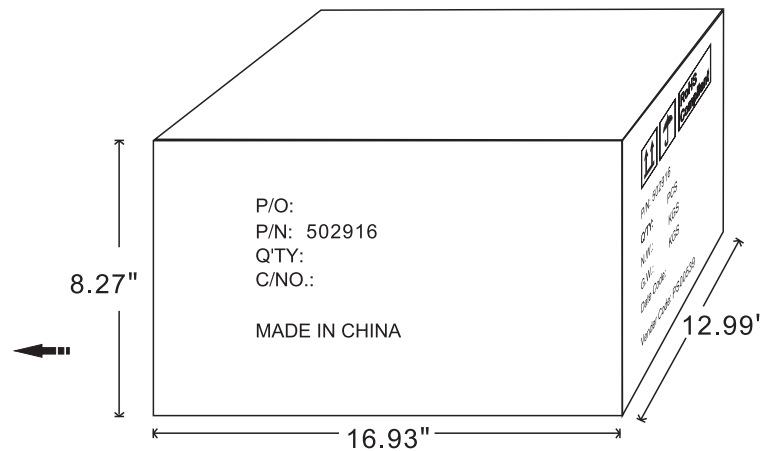
REVISION INFORMATION

Rev.	Rev. Date	Modified By	Brief Description



Unit package  
 Size: 6.1"(L)\*3.74"(W)\* 1.57"(H)  
 Weight: 0.92LBS

P/O:  
 P/N: 502916  
 Q'TY:  
 C/NO.:  
  
 MADE IN CHINA



Carton Size: 16.93"(L)\*12.99"(W)\*8.27"(H)  
 Carton Quantity: 40pcs  
 Carton Weight: 37.4LBS

		<b>RoHS Compliant</b>
P/N: 502916		
Q'TY:	PCS	
N.W.:	KGS	
G.W.:	KGS	
Date Code:		
Vender Code:	PS00539	

DRAWN BY	DATE: 2017/10/16	DESCRIPTION: Screw Service Kit for TV to bracket
CHECKED BY	SHEET 1of2	ITEM NO. 502916
APPROVED BY	SCALE 1: 1	REV. 00
	UNIT:mm	