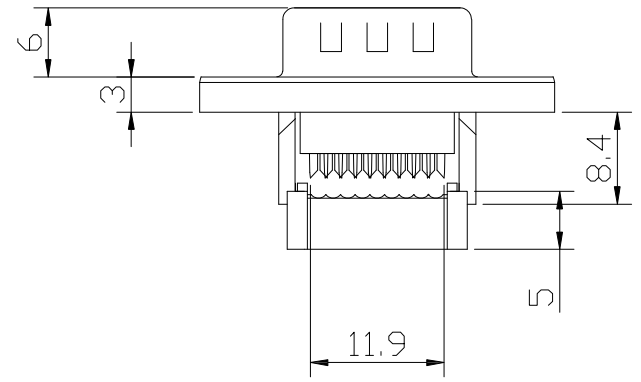
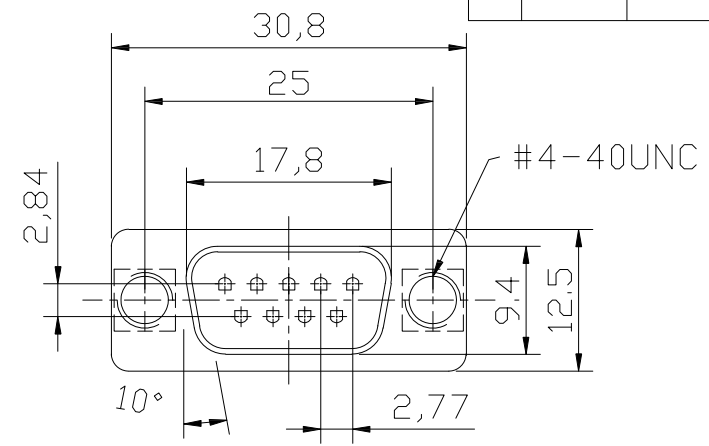
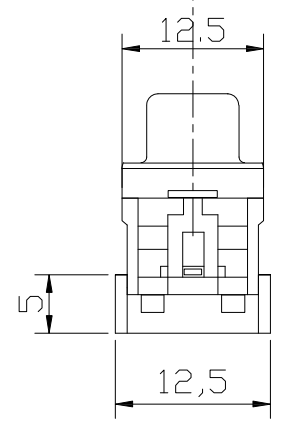
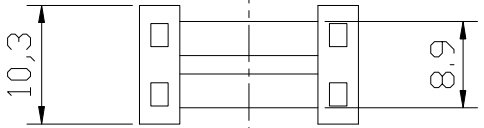
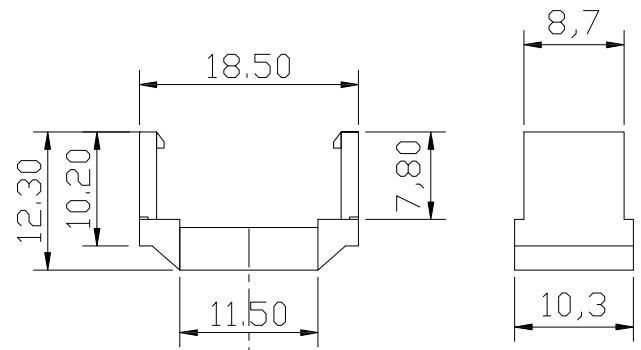


NOTE: ALL MATERIAL COMPLIANT ROHS STANDARD

REVISION INFORMATION			
Rev.	Rev. Date	Modified By	Brief Description



DRAWN BY	DATE: 2017. 9. 26	DESCRIPTION: DB9 Male IDC Metal Shell Connector
CHECKED BY	SHEET 1 of 1	ITEM NO. 273308
APPROVED BY	SCALE 1:1	REV. 00 UNIT: mm

NO.	PART NAME	SPECIFICATION DESCRIPTION	QTY	UNIT
③				
②				
①				

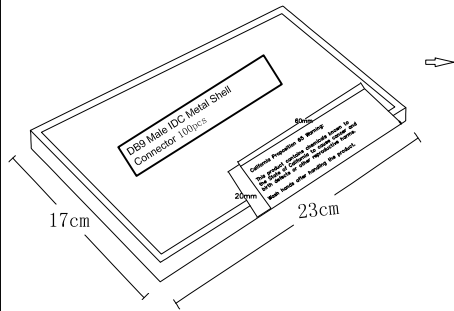
NOTE: CARTON MATERIAL MUST BE A=A

REVISION INFORMATION

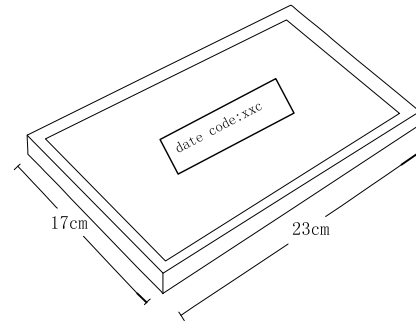
Rev.	Rev. Date	Modified By	Brief Description

front side

behind side



BLISTER



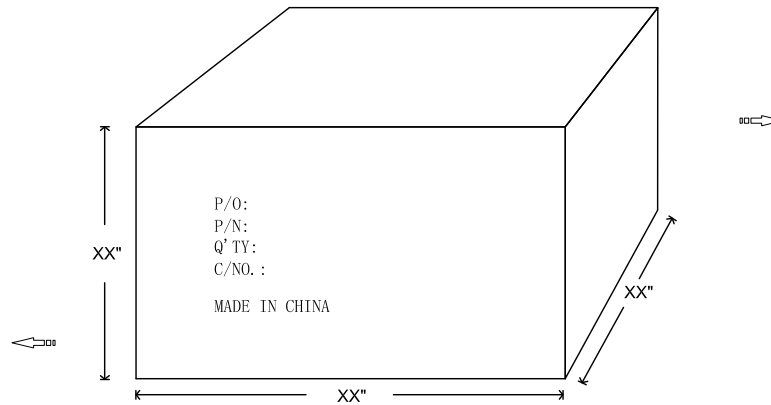
Side Mark

		RoHS Compliant
P/N: 273308		
Q'TY: 2000	PCS	
N. W. : 12.08	KGS	
G. W. : 12.88	KGS	
Date Code:	XX-XXXX	
Vender Code:	PS00523	

Main Mark

P/O:
P/N: 273308
Q' TY: 2000PCS
C/NO. : Dxxx

MADE IN CHINA



Carton Size: 21.26*14.57*8.67
Carton Quantity: 2000PCS
Carton Weight: 28.40LBS



DRAWN BY	DATE: 2017. 9. 26	DESCRIPTION: DB9 Male IDC Metal Shell Connector
CHECKED BY	SHEET 1 of 1	ITEM NO. 273308
APPROVED BY	SCALE 1:1	REV. 00 UNIT: mm