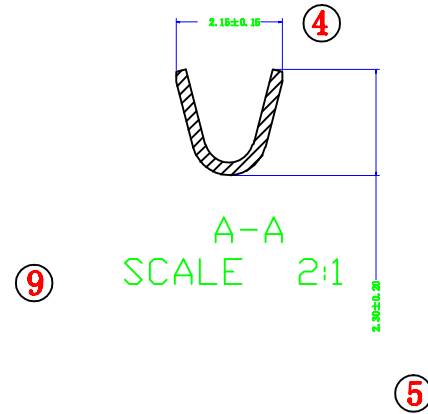
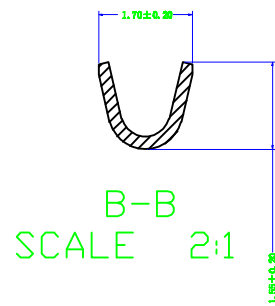
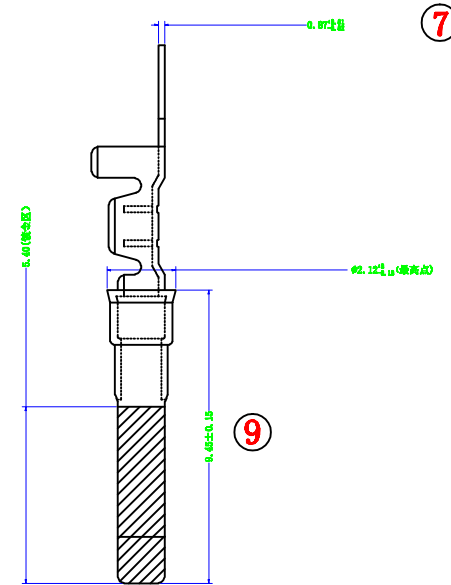
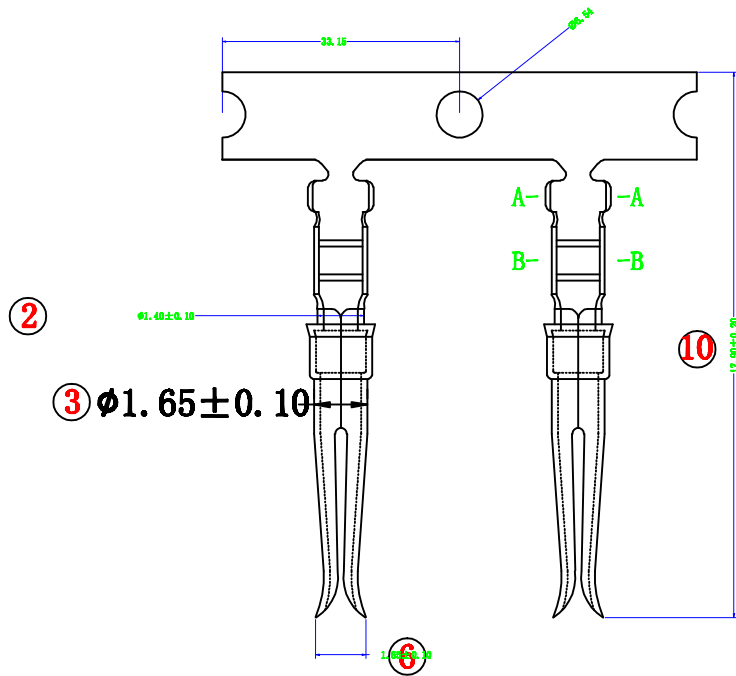



NOTE: ALL MATERIAL COMPLIANT ROHS STANDARD

REVISION INFORMATION

Rev.	Rev. Date	Modified By	Brief Description





<b>DRAWN BY</b>	<b>DATE:</b> 2012/7/6	<b>DESCRIPTION:</b> Female pin for d-sub connector
<b>CHECKED BY</b>	<b>SHEET</b> 1 of 1	<b>ITEM NO.</b> 273121
<b>APPROVED BY</b>	<b>SCALE</b> 1:1	<b>REV.</b> 00
	<b>UNIT:</b> mm	