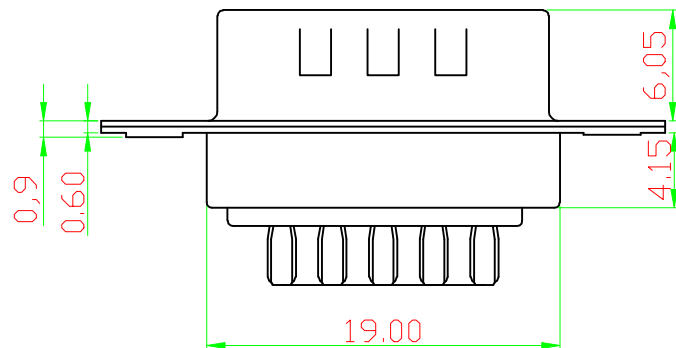
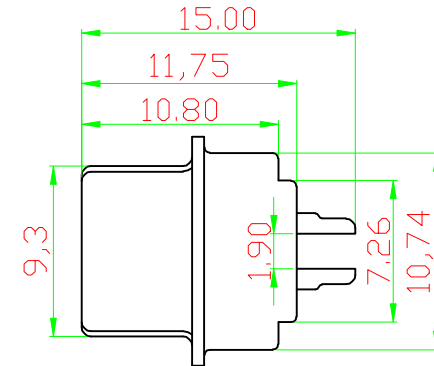
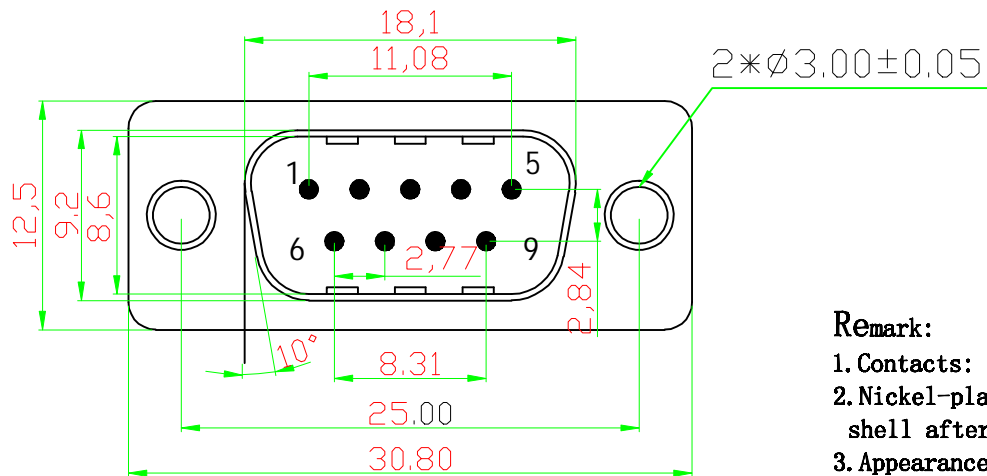


NOTE: ALL MATERIAL COMPLIANT ROHS STANDARD

REVISION INFORMATION			
Rev.	Rev. Date	Modified By	Brief Description
001	2022. 4. 16	LWZ	ADD Point marked



**Remark:**

1. Contacts: Bronze pure tin plating
2. Nickel-plated steel shell before the shell after shell steel tin
3. Appearance requirements:
  - 1: No loose plastic parts. Breakage
  - 2: Metal parts without deformation. No damage, coating well. No black. Corrosion phenomenon
  - 3: Terminal bell no offset. Pin height the same, no skew phenomenon.
4. Salt Requirements:
  - 1: Copper plated:12HourNSS
  - 2: Copper (steel) Nickel:12HourNSS
5. Products using Blister Packaging, each bag 50PCS, can not appear pin, Housing without damage; mixing; sprawl. Packing Packed in a dry, moisture. Dust and mildew in the box. Storage period not exceeding two years from the date of manufacture.



NO.	PART NAME	SPECIFICATION DESCRIPTION	QTY	UNIT
③				
②				
①				

DRAWN BY	DATE: 2022. 4. 16	DESCRIPTION: DB9 Male Solder Cup Connector	
CHECKED BY	SHEET 1 of 1	ITEM NO. 273001	
APPROVED BY	SCALE 1:1	REV. 00	UNIT: mm