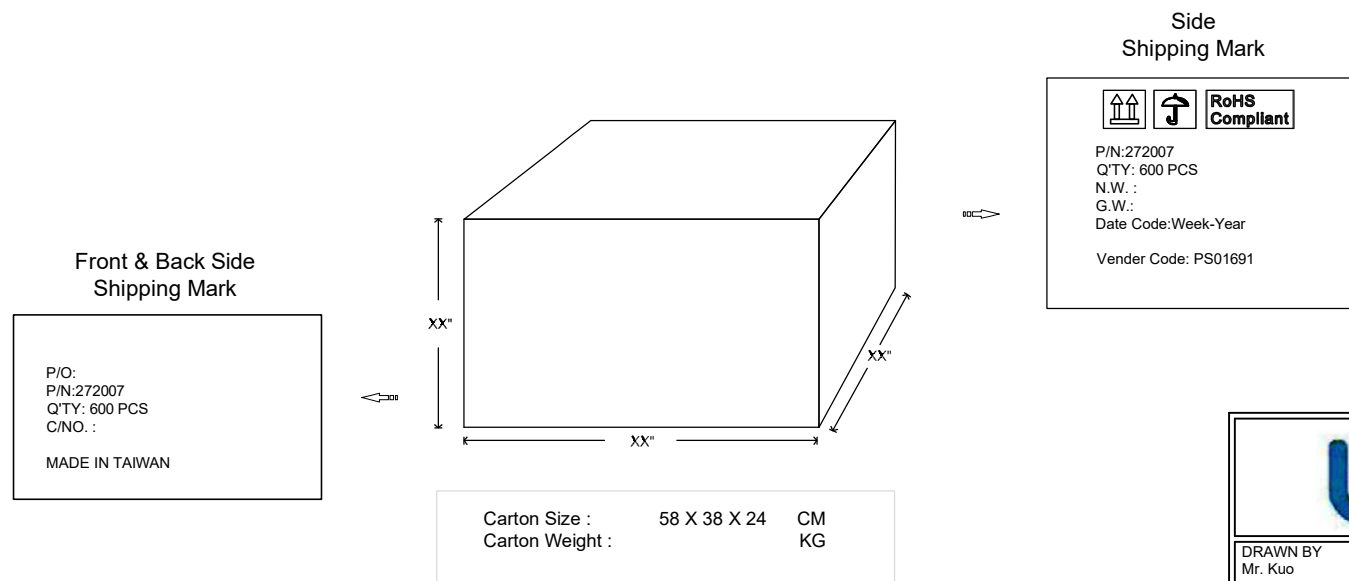
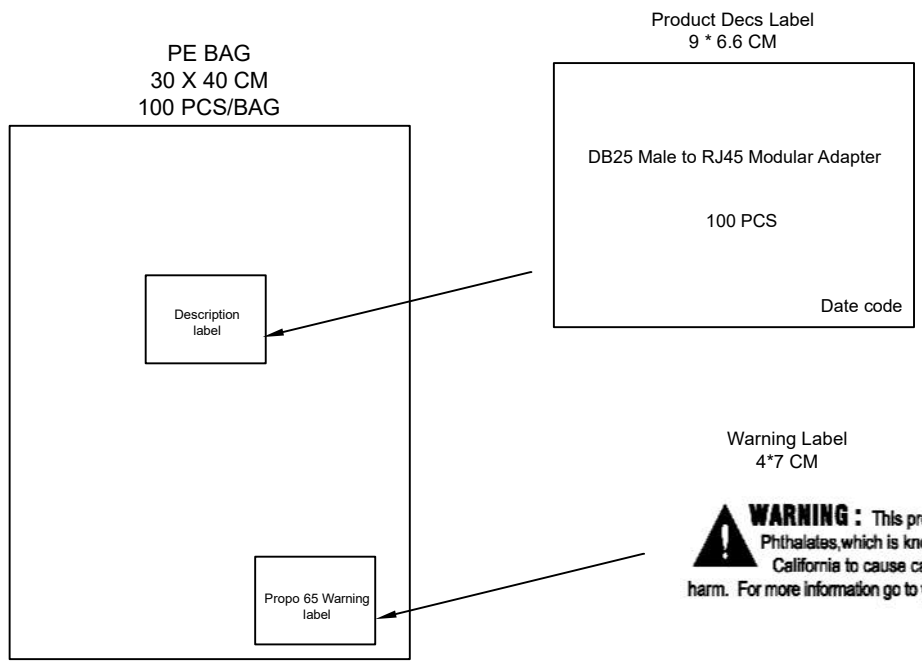


**NOTE: ALL MATERIAL COMPLIANT ROHS STANDARD**

REVISION INFORMATION			
Rev.	Rev. Date	Modified By	Brief Description
1.0	2022.04.07	Cheng Pu	DB25 M/RJ45 Modular Adapter



Carton Size : 58 X 38 X 24 CM  
 Carton Weight : KG

DRAWN BY Mr. Kuo	DATE: 2022.02.23	DESCRIPTION: DB25 Male to RJ45 Modular Adapter
CHECK BY Mr. Liu	SHEET 1 of 1	ITEM NO. 272007
APPROVED BY John Lee	SCALE 2:1	REV. 00 UNIT: mm