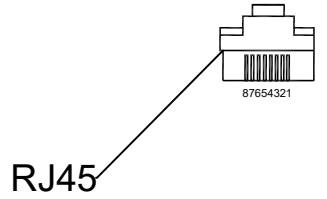
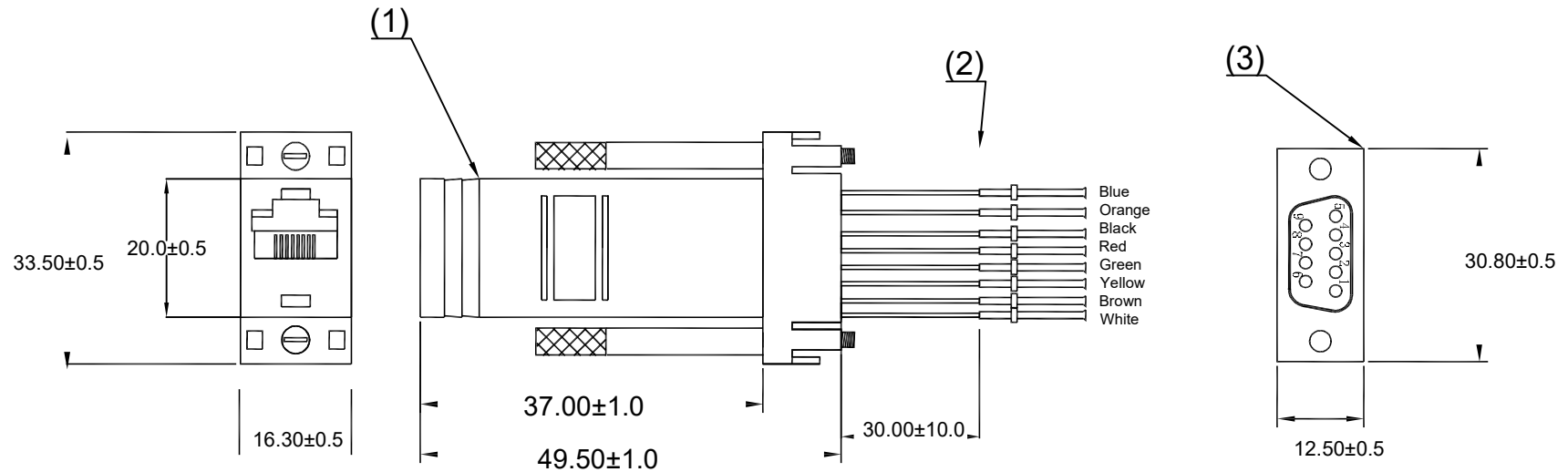


NOTE: ALL MATERIAL COMPLIANT ROHS STANDARD

REVISION INFORMATION			
Rev.	Rev. Date	Modified By	Brief Description
1.0	2022.04.07	Cheng Pu	DB9 M/RJ45 Modular Adapter Ivory



Signal Instruction

- | | | |
|---|-------|--------|
| 1 | ————— | Blue |
| 2 | ————— | Orange |
| 3 | ————— | Black |
| 4 | ————— | Red |
| 5 | ————— | Green |
| 6 | ————— | Yellow |
| 7 | ————— | Brown |
| 8 | ————— | White |

Remark:
 RJ45 shell: 8P8C/ABS/Ivory
 Wires: Blue/Orange/Black/Red/Green/Yellow/Brown/white
 UL1007 26AWG
 Screws: M4*37.00 mm iron with nickel plated
 DB connector: DB9 female with steel / nickel and tin plated shell, and black ABS insulator



NO.	PART NAME	SPECIFICATION DESCRIPTION	QTY	UNIT
③	Jack	DB9P Male/Iron with nickel plated		
②	Conductor	Copper(Gold plated)	8	1
①	Shall	ABS(Ivory)	1	1

DRAWN BY Mr. Kuo	DATE: 2022.02.23	DESCRIPTION: DB9 Male to RJ45 Modular Adapter Ivory
CHECK BY Mr. Liu	SHEET 1 of 1	ITEM NO. 272005
APPROVED BY John Lee	SCALE 2:1	REV. 00 UNIT: mm