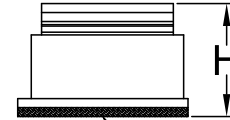
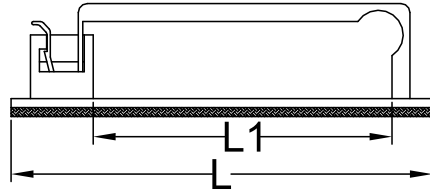
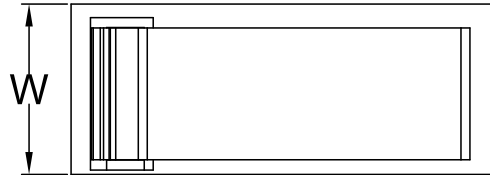


NOTE: ALL MATERIAL COMPLIANT ROHS STANDARD

REVISION INFORMATION			
Rev.	Rev. Date	Modified By	Brief Description

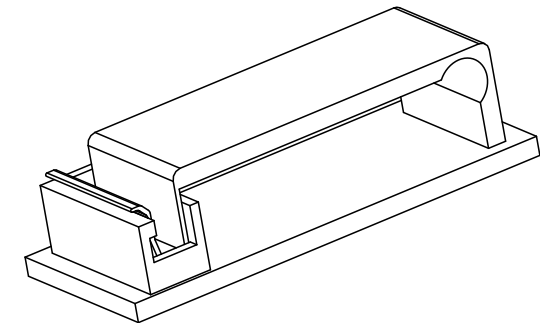


the 3M back glue



Part No.	Width/W (mm)	Length/L (mm)	Available specifications L1 (mm)	Height H (mm)	Standard packing (pcs/bag)
220126BK	19±0.5	46±2	32±2	12.0	100.0

Product name : Nylon adhesive cable clip long type 45x19mm L  
 Material: Nylon+the 3M back glue  
 Color: Black  
 Operating temperature :-40°C ~120  
 Usage: Can be used for wire fixation, used to collect and finish the product of wire fixation and protection.  
 Certification: ROHS



Shaft side of the figure



3					Unless specified on the drawing, tolerances are per the follows: .           +1 .x         +0.2 .x         +0.05
2					
1					
NO.	PART NAME	SPECIFICATION DESCRIPTION	QTY	UNIT	

DRAWN BY	DATE: 2022/8/30	DESCRIPTION Nylon adhesive cable clip long type 45x19mm L, 100pk			
CHECKED BY	SHEET 1of2	ITEM NO: 220126BK			
APPROVED BY	SCALE 1:1	REV.00	UNIT:mm		