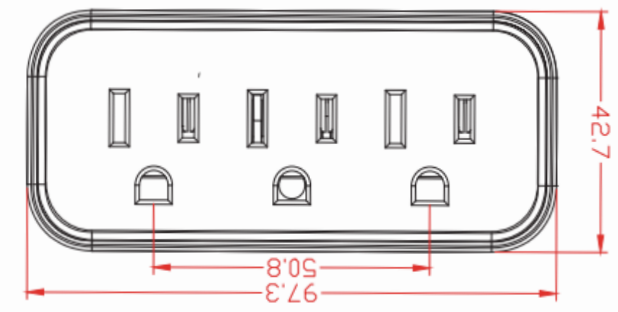
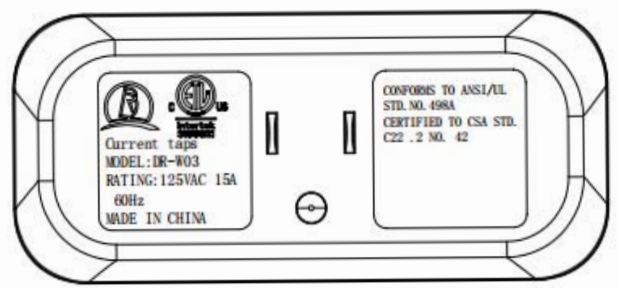
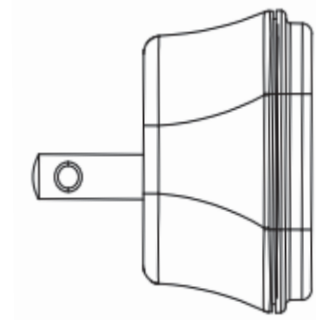
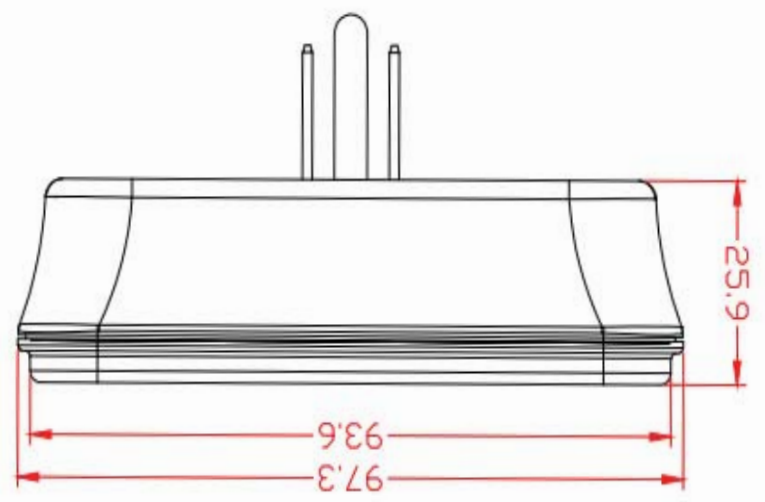


NOTE: ALL MATERIAL COMPLIANT ROHS STANDARD

REVISION INFORMATION			
Rev.	Rev. Date	Modified By	Brief Description



- requiremen
- 1.hi-pot testin
 - 2.internal cheching.
 - 3.polarization checking.
 - 4.grounding continuity testing.

plastic housing color:white






NO.	PART NAME	SPECIFICATION DESCRIPTION	QTY	UNIT
③				
②				
①				





DRAWN BY	DATE: 2020/3/10	DESCRIPTION: 3- Outlet Grounded Power Tap
CHECKED BY	SHEET 1 of 1	ITEM NO. 210501
APPROVED BY	SCALE	REV. 00 UNIT: mm

114x127mm



3-Outlet Wall Adapter
Converts a Single Outlet into 3 Grounded Outlets



3-Outlet Wall Adapter

Converts a Single Outlet into 3 Grounded Outlets
Rated: 125VAC / 15A / 1875W

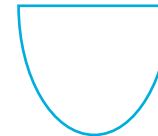
CAUTION

To reduce the risk of electrical shock use only indoors and in dry location. This is not a surge protector. Do not overload the outlets. 15 amp, 1875 watts maximum. Make sure to plug this unit into a 110/120 volt rate receptacle.

WARNING


Disregarding cautions could cause damage, fire, or fatal shock.

FOR INDOOR USE IN DRY LOCATIONS.



California Proposition 65 Warning:

- This product contains chemicals known to the State of California to cause cancer and birth defects or other reproductive harms.
- Wash hands after handling the product.

 **WARNING:** This product contains PVC Which can expose you to chemicals including diisononyl phthalate (DINP) which is known to the State of California to cause cancer. For more information, go to www.P65Warnings.ca.gov

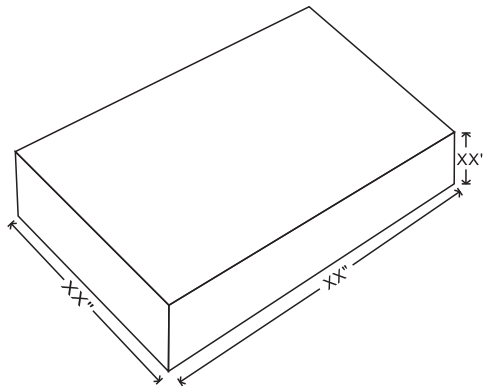


03M
MADE IN CHINA

NOTE: CARTON MATERIAL MUST BE A=A

REVISION INFORMATION

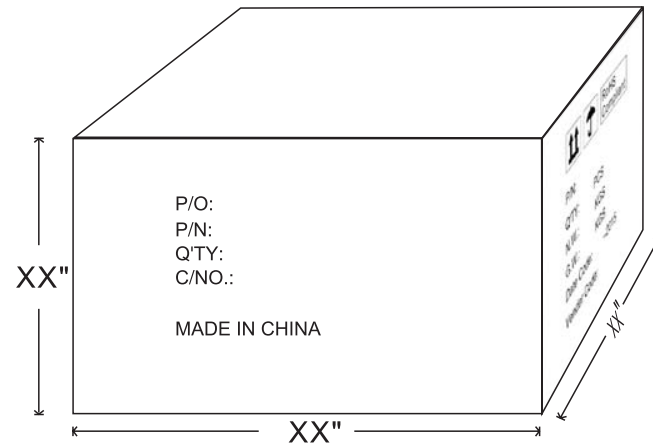
Rev.	Rev. Date	Modified By	Brief Description



Main Mark

P/O: 1600819
 P/N: 210501
 Q'TY: 40PCS
 C/NO.: C

 MADE IN CHINA



Side Mark

		RoHS Compliant
P/N: 210501		
Q'TY: 40 PCS		
N.W.: 2.6 KGS		
G.W.: 2.87 KGS		
Date Code: 24-2016		
Vender Code: PS00655		

Carton Size: 30*27.5*27.5CM
 Carton Quantity: 40 pcs
 Carton Weight: 5.74 LBS



DRAWN BY	DATE: 2016-06-14	DESCRIPTION: 3-OUTLET GROUNDED
CHECKED BY	SHEET 1of2	ITEM NO. 210501
APPROVED BY	SCALE 1: 1	REV. 00
	UNIT:mm	