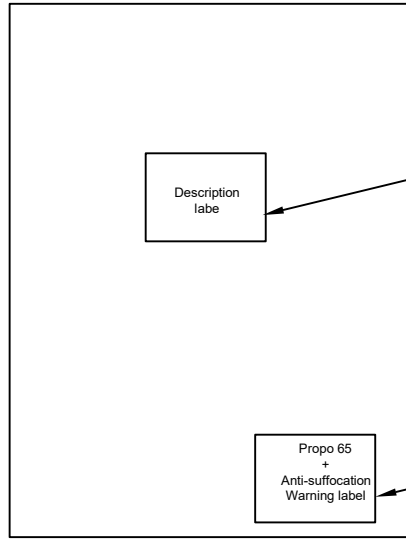


**NOTE: ALL MATERIAL COMPLIANT ROHS STANDARD**

REVISION INFORMATION			
Rev.	Rev. Date	Modified By	Brief Description
1.0	2022.04.07	Cheng Pu	RXLR 3P M/F Balanced Audio Microphone Cabl

PE BAG

Product Decs Label  
4\*7 CM



XLR 3P Male/Female Balanced Audio Microphone Cable  
  
Date code

Warning Label  
6\*6 CM

**WARNING**

This product can expose you to Lead, which is known to the State of California to cause cancer and reproductive harm. For more information go to [www.P65Warnings.ca.gov](http://www.P65Warnings.ca.gov)

To avoid danger of suffocation, keep this plastic bag away from babies and children. Do not use this bag in cribs, beds, carriage, or playpens. This bag is not a toy.

Item #	Length(L)	PE bg. size/cm	QTY/CTN	arton size/c	G.W. (KG)
203100	3FT / 915 ± 30 mm	TBD	TBD	TBD	TBD
203101	6FT / 1830 ± 30 mm	TBD	TBD	TBD	TBD
203102	10FT / 30500 ± 40 mm	TBD	TBD	TBD	TBD
203103	15FT / 4570 ± 80 mm	TBD	60	TBD	TBD
203104	25FT / 7620 ± 80 mm	TBD	40	TBD	TBD
203105	50FT / 15240 ± 100 mm	TBD	20	TBD	TBD
203107	100FT / 30480 ± 150 mm	TBD	12	TBD	TBD

Propo 65 + Anti-suffocation Warning label

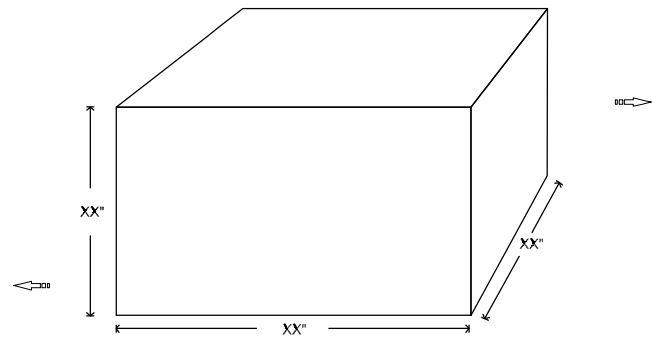
Side Shipping Mark

**RoHS Compliant**

P/N:  
Q'TY: XXXX PCS  
N.W. :  
G.W.:  
Date Code:Week-Year  
Vender Code: PS01691

Front & Back Side Shipping Mark

P/O:  
P/N:  
Q'TY: XXXX PCS  
C/NO. :  
  
MADE IN TAIWAN



**BESTLINK NETWORKARE**

DRAWN BY Mr. Kuo	DATE: 2022.02.23	DESCRIPTION: XLR 3P Male/Female Balanced Audio Microphone Cable
CHECK BY Mr. Liu	SHEET 1 of 1	ITEM NO. 203100/1/2/3/4/5/7
APPROVED BY John Lee	SCALE 2:1	REV. 00 UNIT: mm