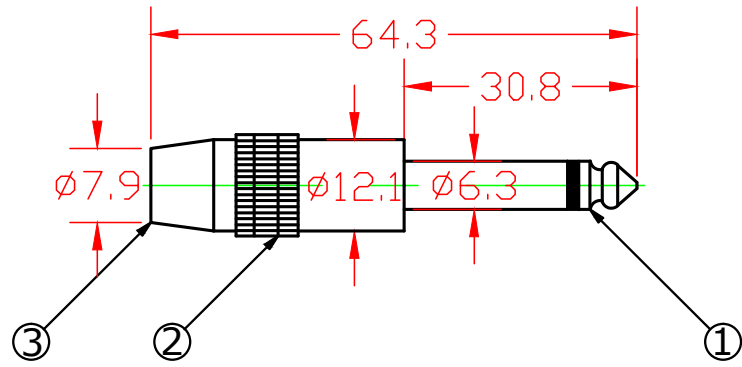


NOTE: ALL MATERIAL COMPLIANT ROHS STANDARD.

**RoHS  
Compliant**

REVISION INFORMATION			
Rev.	Rev. Date	Modified By	Brief Description



**ELECTRICAL TESTING**  
**1. CONDUCTOR RESISTANCE: : ≤5Ω 300V DC**



③	<b>Shell</b>	<b>Metal-Nickel Plated</b>	1	PC
②	<b>Plastic</b>	<b>Plastic Red</b>	1	PC
①	<b>1/4" Mono Male</b>	<b>6.35 Mono Male-Gold Plated</b>	1	PC
NO.	PART NAME	SPECIFICATION DESCRIPTION	Q'TY	UNIT

DRAWN BY	DATE: 2014/04/21	DESCRIPTION: 1/4 inch Mono Metal Plug Gold Plated
CHECKED BY	SHEET 1 of 1	ITEM NO. <b>201329</b>
APPROVED BY	SCALE 1:1	REV. 00 UNIT: mm