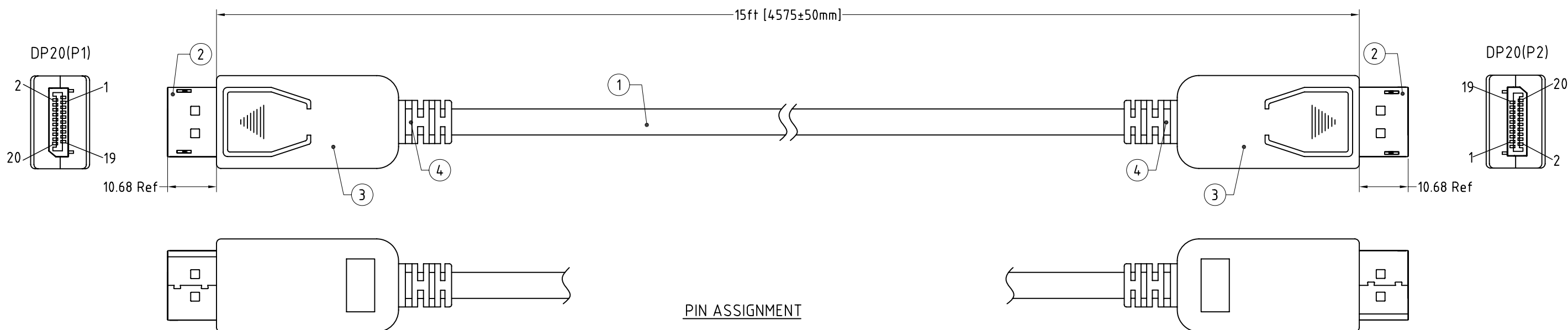


NOTE:ALL MATERIAL COMPLIANT ROHS STANDARD

REVISION INFORMATION			
Rev.	Rev. Date	Modified By	Brief Description

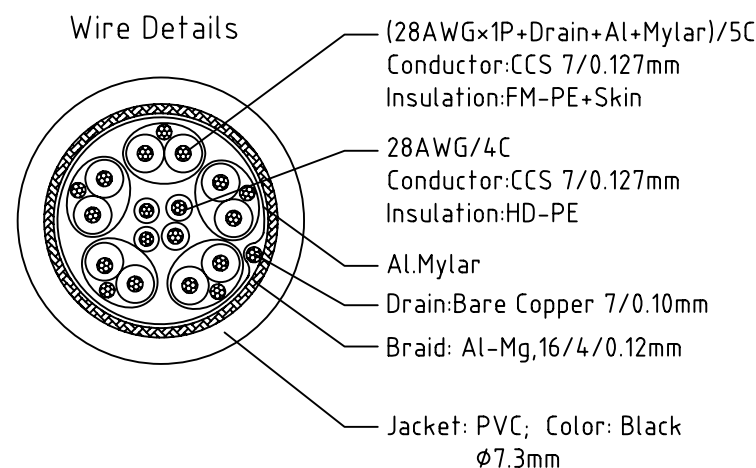


**Electrical character:**

- 1)100% Open/short/Intermittent testing
- 2)Withstanding voltage:DC 300V AT 10ms.
- 3)Insulation resistance:10M Ohm(min)
- 4)Residual operating current:
  - a.<1.M=0.5mA;    b.1.0~2.0M=1.0mA;
  - c.2.0~3.0M=2.0mA;    d.3.0~5.0M=3.0mA;
  - e.5.0~10M=5.0mA;    f.10~15M=7.0mA;
- 5)Conductive resistance:3 Ohm(max)

**PIN ASSIGNMENT**

DP20(P1)	DP20(P2)
1	12 ML-Lane0(p)
3	10 ML-Lane0(n)
2	11 GND
4	9 ML-Lane1(p)
6	7 ML-Lane1(n)
5	8 GND
7	6 ML-Lane2(p)
9	4 ML-Lane2(n)
8	5 GND
10	3 ML-Lane 3(p)
12	1 ML-Lane 3(n)
11	2 GND
15	15 AUX_CH(p)
17	17 AUX_CH(n)
16	16 GND
13	13 GND
14	14 GND
18	18 HPD
19	19 RETURN DP_POWER
20	20 DP_POWER
SHELL	Braid+Drain SHELL



NO.	PART NAME	SPECIFICATION DESCRIPTION	QTY	UNIT
①	Cable	UL20276 (28#CCS*1P+D+A+M)*5+28#CCS*4C+A+D+B(16/4/0.12,Al-Mg)+PVC,Black,OD:7.3mm		
②	DP_Conn	DisplayPort Male,Pin G/F,Black Insulation,Steel-Shell(G/F Plated),Solder type		
③	DP_Shell	DisplayPort 20 Pin Shell,ABS,Black		
④	SR Molding	PVC,45Pa,Black		

Unless specified on the drawing, tolerances are per the follows:

.	+1
.x	+0.2
.xx	+0.05

DRAWN BY	DATE: 2019/06/10	DESCRIPTION: DisplayPort to DisplayPort cable,28#
CHECKED BY	SHEET 1of2	ITEM NO. 184063
APPROVED BY	SCALE None	REV. 0.0    UNIT:mm