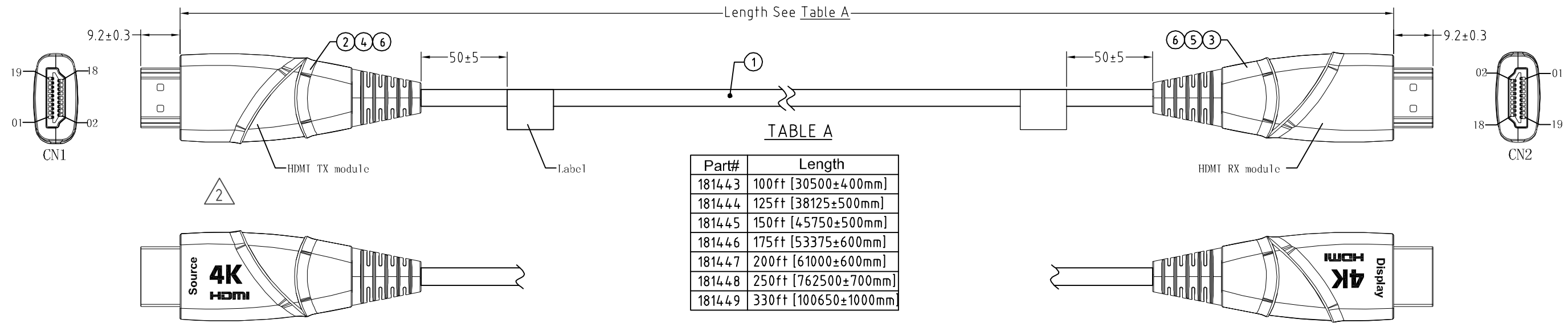


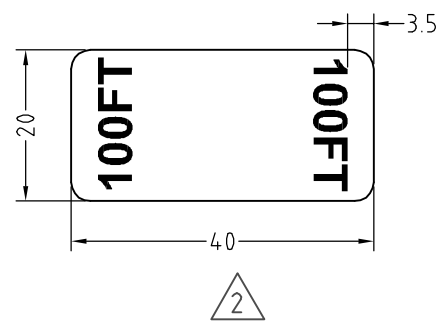
NOTE:ALL MATERIAL COMPLIANT ROHS STANDARD

REVISION INFORMATION

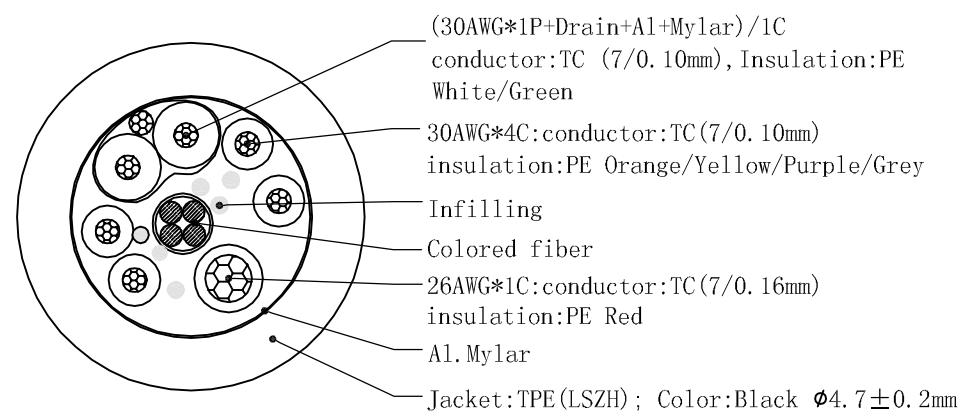
Rev.	Rev. Date	Modified By	Brief Description
1.0	2021/04/29	Darrick	Change model and package



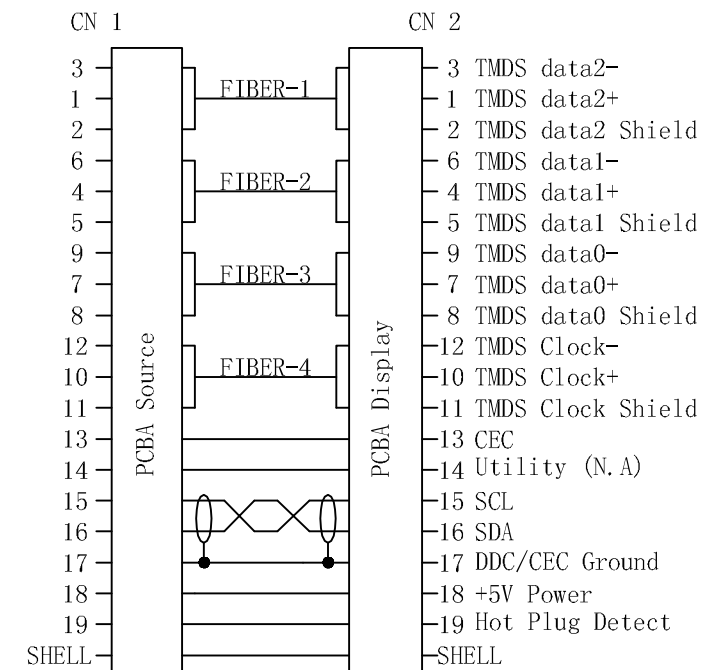
Label: 40x20mm
Different length reference Table A



Wire Details



PIN ASSIGNMENT



NOTE:
1. ELECTRICAL TEST:(100% real machine transmission test)
(1).SOURCE "meets HDMI TX module, stands for firing."
(2).Display "meets HDMI RX module, stands for receive."
(3).100% by 2160P(3840*2160 60HZ)4:4:4(YCBCR)
(4).Support HDCP2.2;ARC, 3D;
(5). Maximum transmission bandwidth 18Gbps
2. RoHS+REACH Compliant;

NO.	PART NAME	SPECIFICATION DESCRIPTION	QTY	UNIT
①	Cable	(Fiber x 4C)*1C+(30#TA*1P+D+A)*1C+30#TA*4C+26#TA*1C+F+A OD4.7mm		
②	HDMI_Conn	HDMI AM TX transmitter module, HDMI gold-plated copper plated connector terminal with pad PCB		
③	HDMI_Conn	HDMI AM RX receiver module, HDMI gold-plated copper plated connector terminal with pad PCB		
④	Shell	HDMI AM upper and lower zinc alloy shell, radium carving, "HDMI" 、 "4K"、 "Source"		
⑤	Shell	HDMI AM upper and lower zinc alloy shell, radium carving, "HDMI" 、 "4K"、 "Display"		
⑥	SR-Mold	PVC,Black		

Unless specified on the drawing, tolerances are per the follows:

.	+1
.x	+0.2
.xx	+0.05

DRAWN BY	DATE: 2021/04/29	DESCRIPTION: HDMI Active optical cable
CHECKED BY	SHEET 1 of 2	ITEM NO. 181443~181449
APPROVED BY	SCALE None	REV. 1.0 UNIT:mm