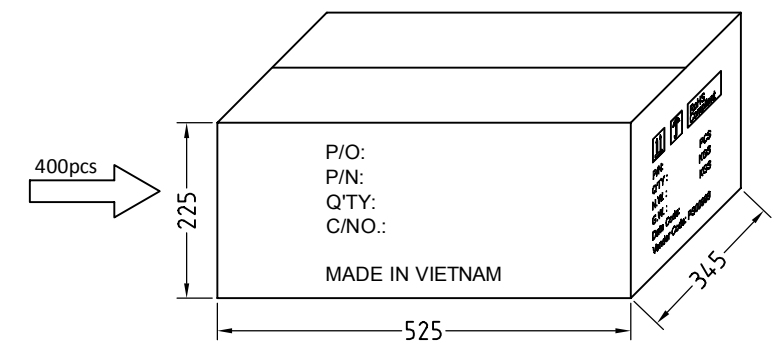
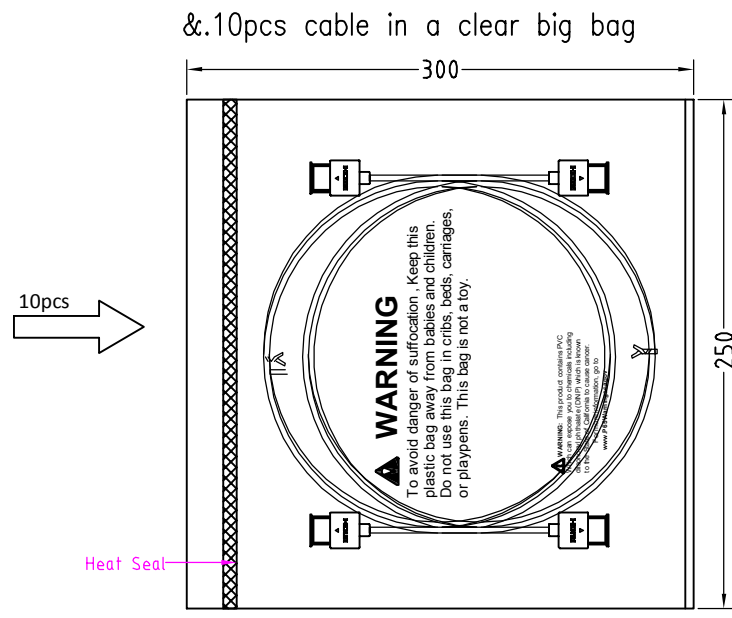
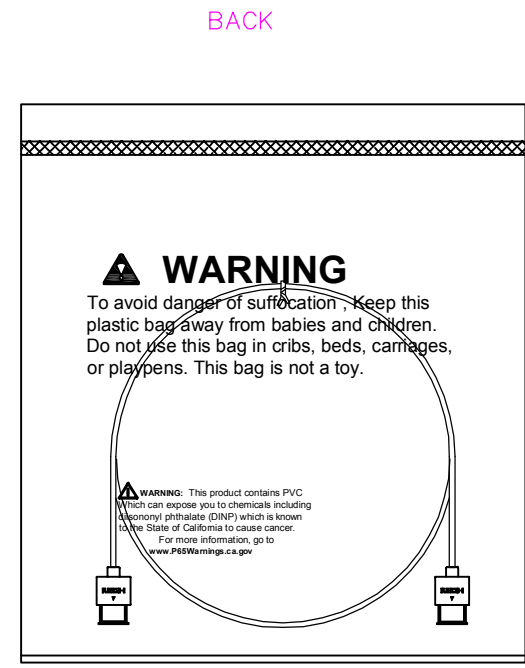
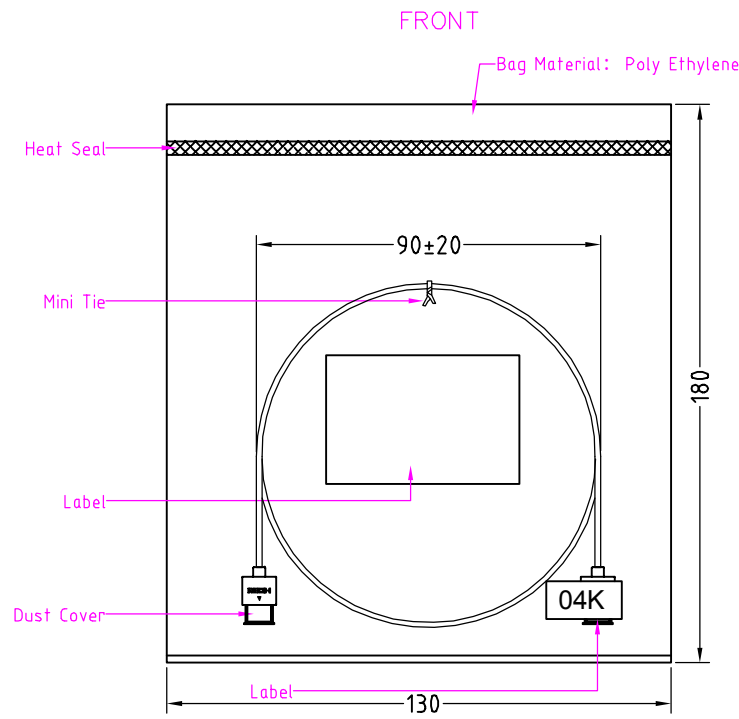
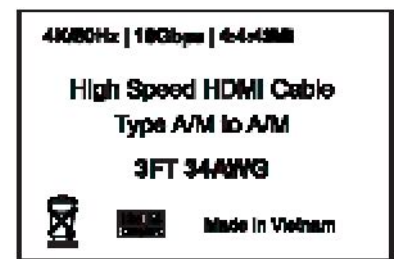


NOTE: CARTON MATERIAL MUST BE A=A

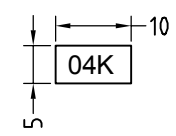
REVISION INFORMATION			
Rev.	Rev. Date	Modified By	Brief Description
1.0	2022-3-15	Hypo	Release to product



Label:  
Size: 60 x 40 mm



Label:  
Size: 10 x 5 mm



Packing Instruction:

1. First of all, protect the connector with dust covers, coil the cable (see attached). Secure the cable with cable tie, and then pack each cable with an individual PE bag, 10 pcs cable in a clear big bag, the label is attached to the PE bag.
2. Seal the PE bag with heat sealing machine.
3. Use a waterproof bag to pack the products before going into master carton. Make sure each individual cable is staggered and positioned tidily. A paperboard is needed in both the bottom and the top of the products.
4. See shipping mark on the left.

MAIN MARK

P/O: XXXXXX  
P/N: 181423  
Q'TY: 400  
C/NO.: Cxxx

MADE IN VIETNAM

SIDE MARK

RoHS Compliant

P/N: 181423  
Q'TY: 400 PCS  
N.W.: XX.XX KGS  
G.W.: XX.XX KGS  
Date Code: XX-XXXX  
Vender Code: PS00999

Carton Size: 20.67"(L)\*13.58"(W)\*8.86"(H)  
Carton Quantity: 400 pcs  
Carton Weight: 21.04 LBS

<b>BESTLINK</b> NETWORKARE		
DRAWN BY	DATE: 2022/03/15	DESCRIPTION: HDMI A/M TO HDMI A/M Thin Cable
CHECKED BY	SHEET 2of 2	ITEM NO. 181423
APPROVED BY	SCALE None	REV. 1.0 UNIT:mm