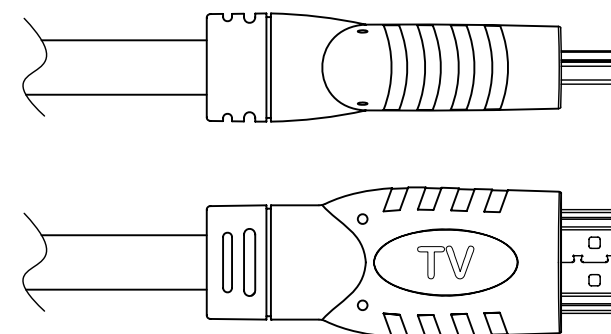
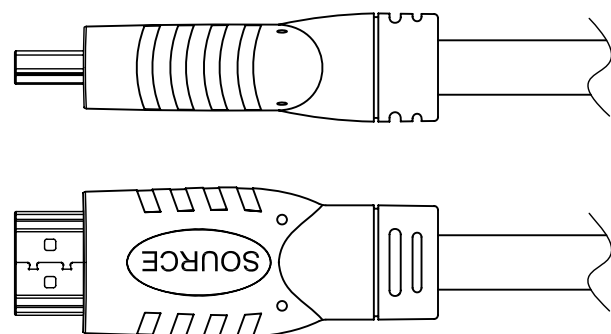
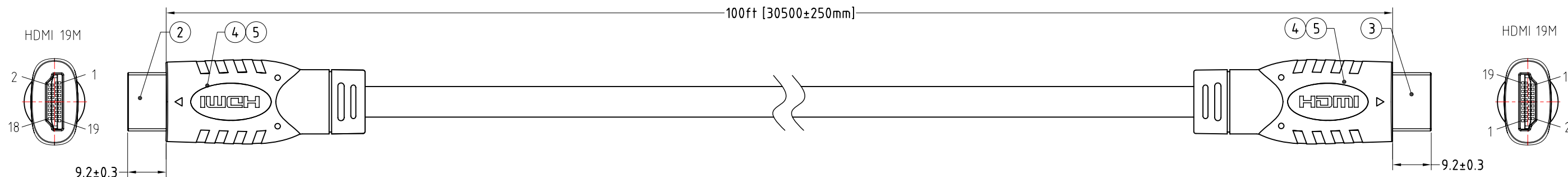
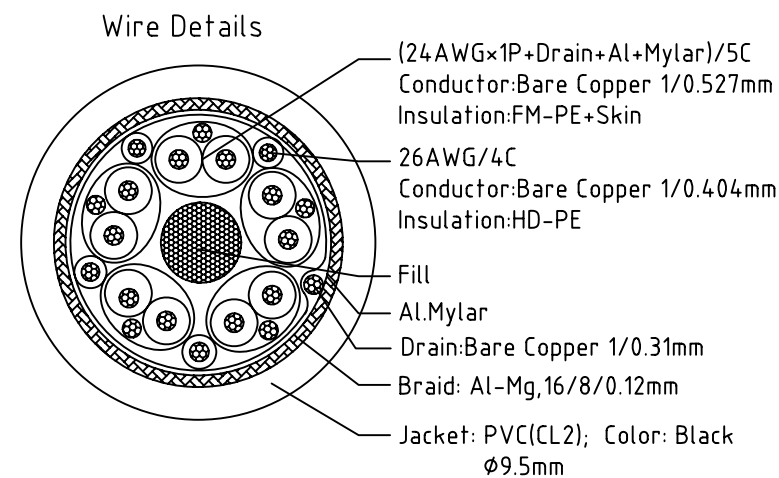
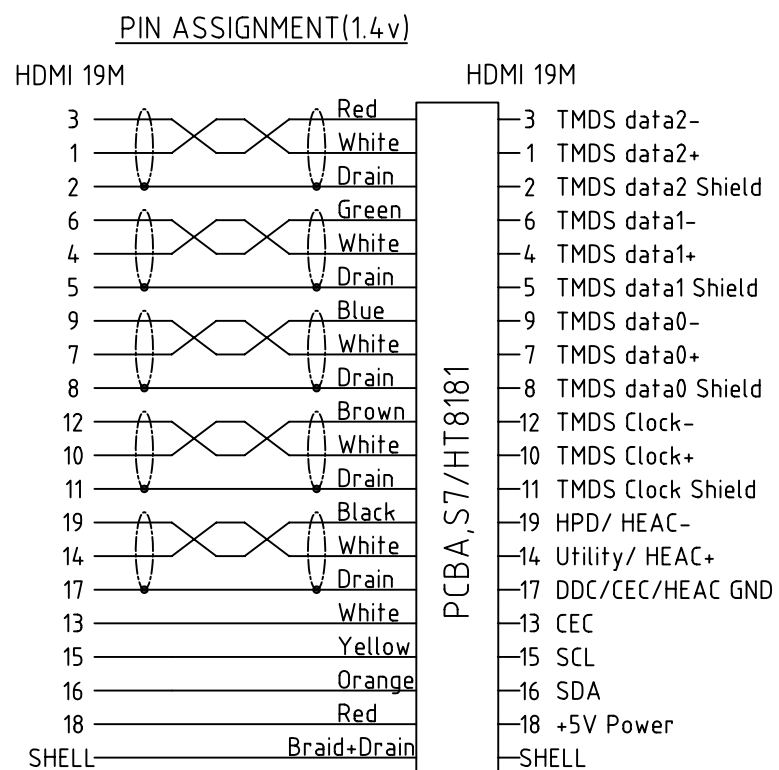


NOTE:ALL MATERIAL COMPLIANT ROHS STANDARD

| REVISION INFORMATION |           |             |                   |
|----------------------|-----------|-------------|-------------------|
| Rev.                 | Rev. Date | Modified By | Brief Description |
|                      |           |             |                   |



Electrical character:  
1)100% 1080P、4K@30Hz、3D testing



| NO. | PART NAME      | SPECIFICATION DESCRIPTION  | QTY | UNIT |
|-----|----------------|--|-----|------|
| ①   | Cable          | UL20276 (24#BC/1P+ADM)/5C+26#4C+F+A+D+B(16/8/0.12,Al-Mg)+PVC,Black,OD9.5mm |     |      |
| ②   | HDMI_Conn      | HDMI A/M,PIN G/F,Black Insulation,Steel-Shell(G/F Plated),Solder type      |     |      |
| ③   | HDMI Conn+PCBA | HDMI A/M(G/F Plated)+PCBA(S7/HT8181)                                       |     |      |
| ④   | Innereold      | PE,Low density   |     |      |
| ⑤   | Overmold       | PVC,45Pa,Black   |     |      |

Unless specified on the drawing, tolerances are per the follows:

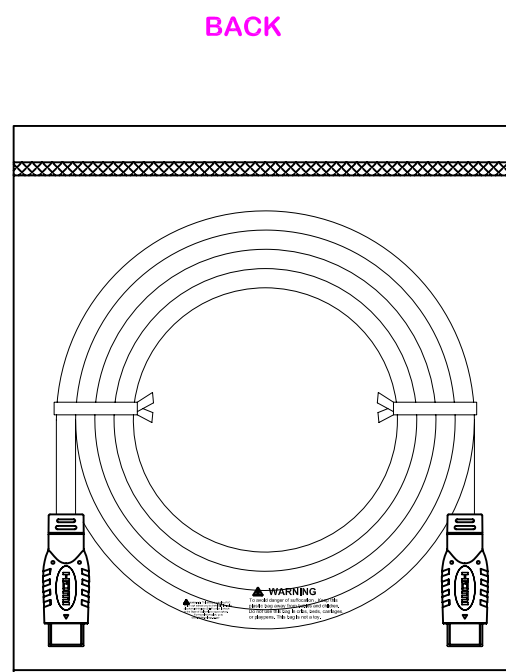
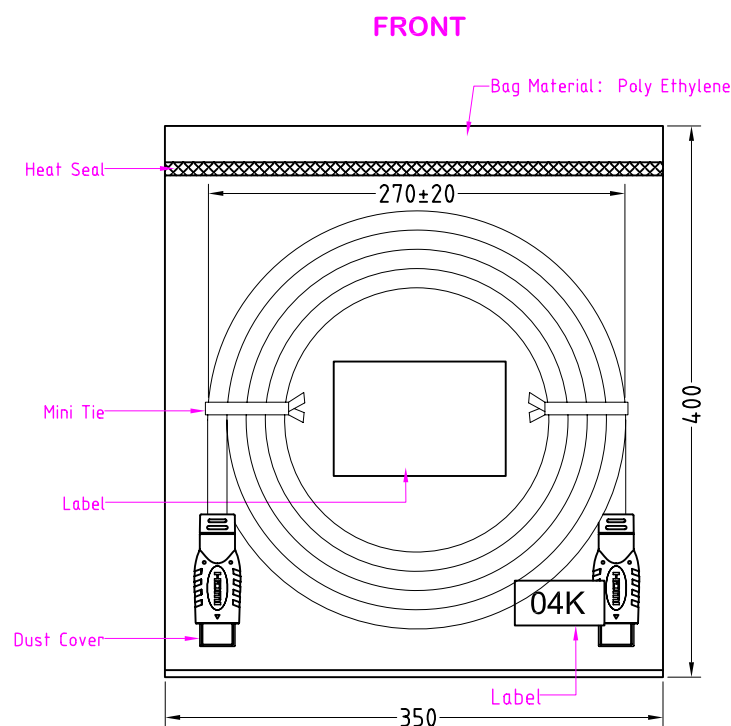
|     |       |
|-----|-------|
| .   | +1    |
| .x  | +0.2  |
| .xx | +0.05 |

|             |                     |  |
|-------------|---------------------|--|
| DRAWN BY    | DATE:<br>2019/06/05 | DESCRIPTION:<br>HDMI A/M TO HDMI A/M Cable |
| CHECKED BY  | SHEET 1of2          | ITEM NO. 181421                            |
| APPROVED BY | SCALE None          | REV. 0.0                                   |

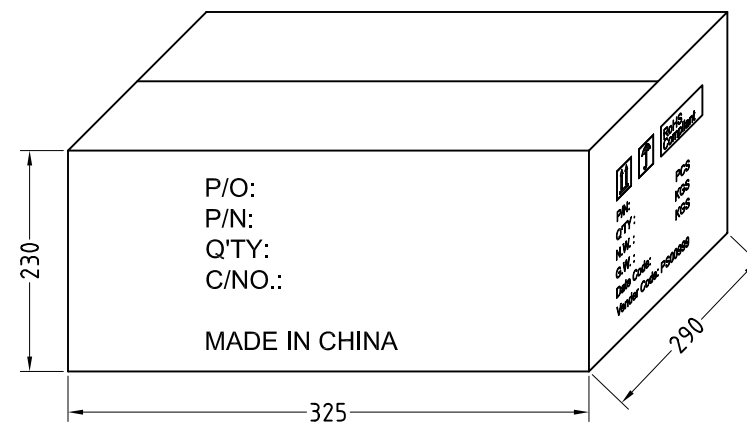
UNIT:mm

NOTE: CARTON MATERIAL MUST BE A=A

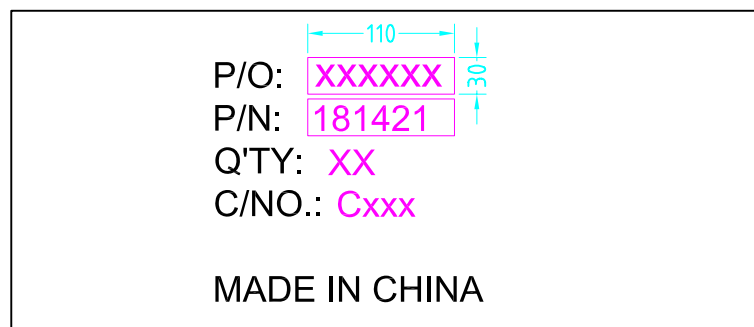
| REVISION INFORMATION |           |             |                   |
|----------------------|-----------|-------------|-------------------|
| Rev.                 | Rev. Date | Modified By | Brief Description |
|                      |           |             |                   |



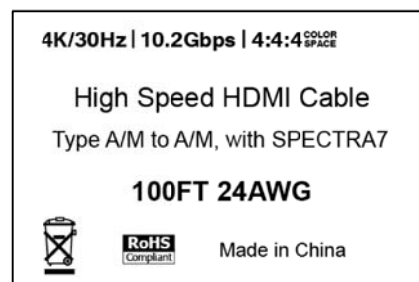
12pcs →



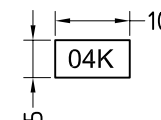
MAIN MARK



Label:  
Size: 60 x 40 mm



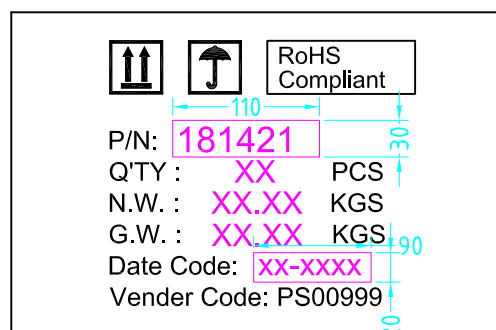
Label:  
Size: 10 x 5 mm



Packing Instruction:

1. First of all, protect the connector with dust covers, coil the cable (see attached). Secure the cable with cable tie, and then pack each cable with an individual PE bag, The label is attached to the PE bag.
2. Seal the PE bag with heat sealing machine.
3. Use a waterproof bag to pack the products before going into master carton. Make sure each individual cable is staggered and positioned tidily. A paperboard is needed in both the bottom and the top of the products.
4. See shipping mark on the left.

SIDE MARK



Carton Size: 20.67"(L)\*13.58"(W)\*8.86"(H)  
Carton Quantity: 3 pcs  
Carton Weight: 25.78 LBS

|             |                     |  |
|-------------|---------------------|--|
|             |                     |  |
| DRAWN BY    | DATE:<br>2019/06/05 | DESCRIPTION:<br>HDMI A/M TO HDMI A/M Cable |
| CHECKED BY  | SHEET 2of2          | ITEM NO. 181421                            |
| APPROVED BY | SCALE None          | REV. 0.0                                   |
|             | UNIT:mm             |  |