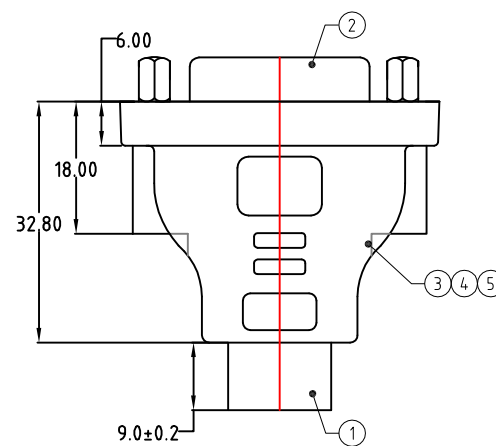
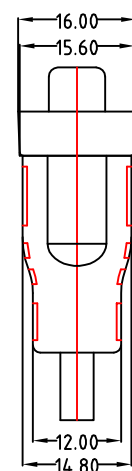
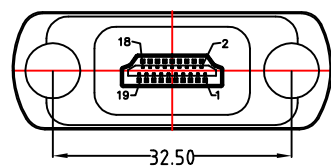
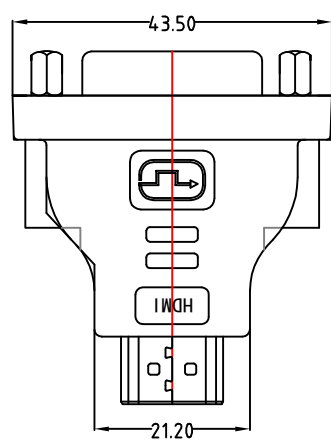
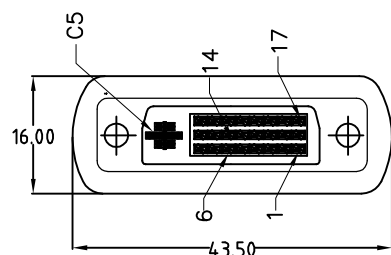


NOTE:ALL MATERIAL COMPLIANT ROHS STANDARD

REVISION INFORMATION

Rev.	Rev. Date	Modified By	Brief Description
1.0	2016-3-29	Pillar	Add labels on packaging



Electrical character:
 1)100% Open/short/Intermittent testing
 2)Withstanding voltage:DC 300V AT 10ms.
 3)Insulation resistance:10M Ohm(min)
 4)Conductive resistance:5 Ohm(max)

PIN ASSIGNMENT:

DVI(24+5)F	HDMI A/M
1	3
2	1
3	2
9	6
10	4
11	5
17	9
18	7
19	8
24	12
23	10
22	11
6	15
7	16
15	17
14	18
16	19
SHELL	SHELL

NO.	PART NAME	SPECIFICATION DESCRIPTION	QTY	UNIT
①	Conn	HDMI A Male,Pin G/F,Black Insulation,Shell/Steel(Gold Plated)		
②	Conn	DVI(24+5) Female,Pin G/F,White Insulation,Shell/Steel(Gpld Plated)		
③	PCB	HDMI A Male to DVI(24+5) Female PCB		
④	Innrmold	PE,Low density		
⑤	Overmold	PVC,45Pa,Black		

Unless specified on the drawing, tolerances are per the follows:

.	+1
.x	+0.2
.xx	+0.05



DRAWN BY	DATE: 2016/03/29	DESCRIPTION: HDMI Male to DVI Female Adapter
CHECKED BY	SHEET 2 of 2	ITEM NO. 181240
APPROVED BY	SCALE None	REV. 1.0
	UNIT:mm	