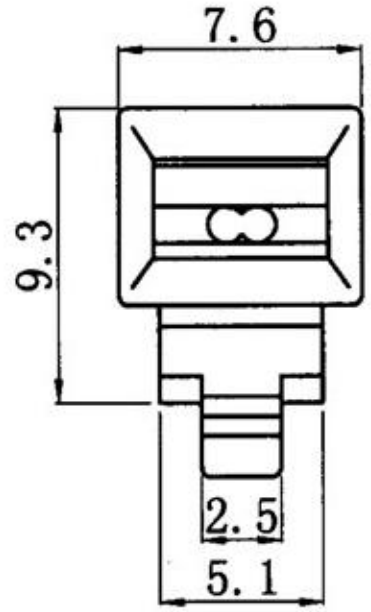
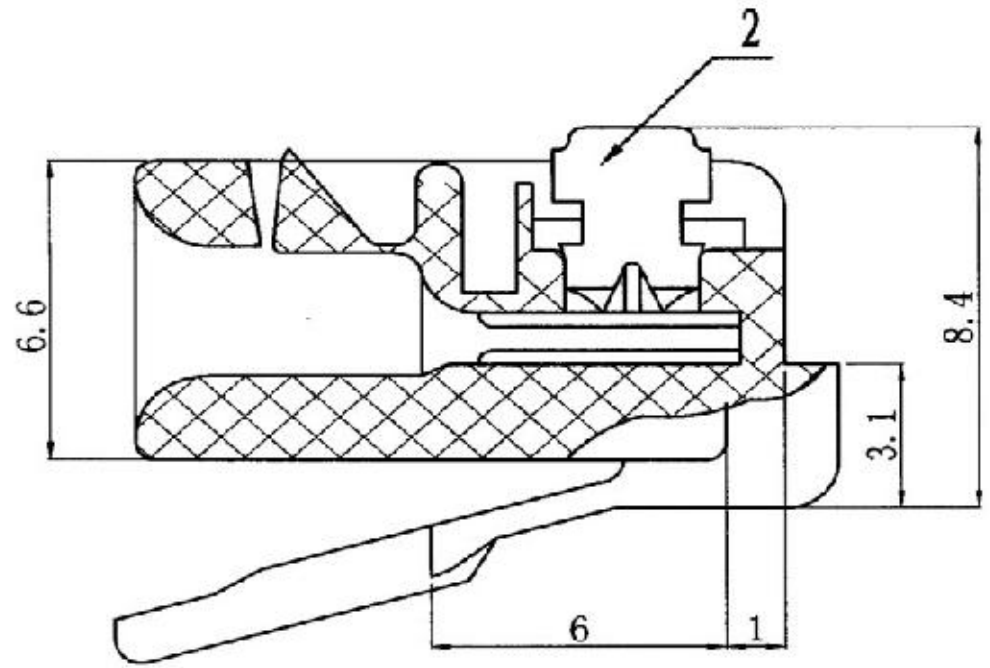
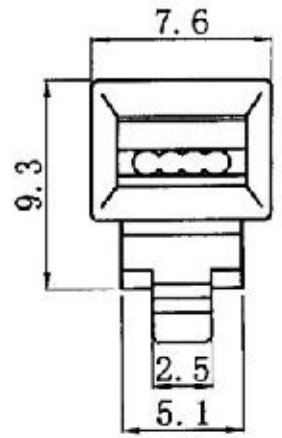
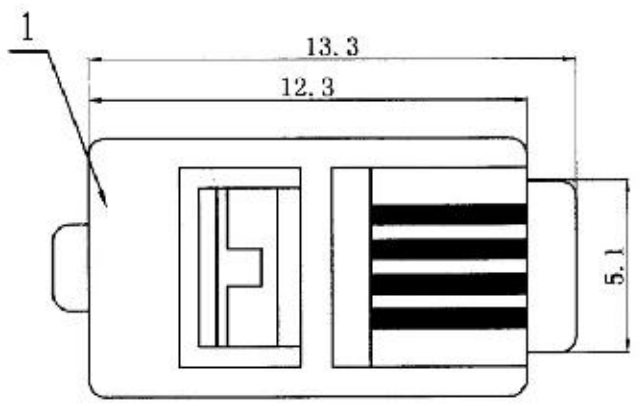


NOTE: ALL MATERIAL COMPLIANT ROHS STANDARD

REVISION INFORMATION			
Rev.	Rev. Date	Modified By	Brief Description



4P2C



4P4C

①	Plug Type	RJ22		
②	Cable Type	Flat Stranded Wire		
③	Connector	(4p 4c)		
NO.	PART NAME	SPECIFICATION DESCRIPTION	QTY	UNIT


BestLinkNetware

DRAWN BY	DATE:	DESCRIPTION:
CHECKED BY	SHEET 1 of 1	ITEM NO. 170311
APPROVED BY	SCALE 1:1	REV. 00 UNIT: mm