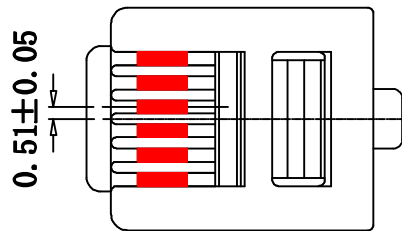
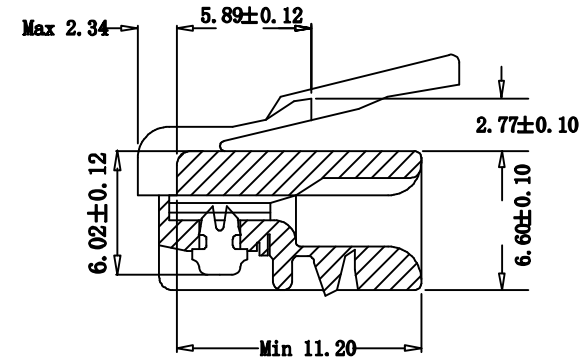
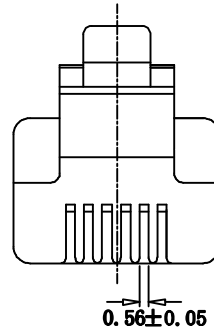


NOTE: ALL MATERIAL COMPLIANT ROHS STANDARD

| REVISION INFORMATION | | | |
|----------------------|-----------|-------------|-------------------|
| Rev. | Rev. Date | Modified By | Brief Description |
| A/0 | 13-09-12 | Y130912C | NEW DRAWING |
| A/1 | 13-09-27 | T0927A | 修改品名 |



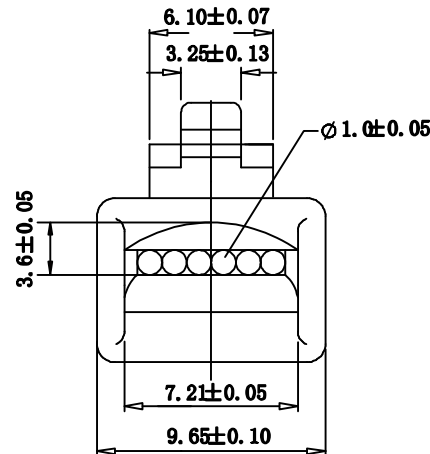
MP6P6C R



SPECIFICATIONS


| | |
|--------------------|---------------------------------------|
| MANUFACTURER | BON;BCI OR CZT |
| PART NO. | CH106MP6F OR MODELS 6P-6C R |
| UL REF: | E159371;UL 498 NO, E129580 OR E134299 |
| CSA REF | LR 90513 OR LR 96654 |
| HOUSING | POLY CARBONATE(PC) UL94V2 NO. E919153 |
| CONTACT BLADE | HIGH STRENGTH COPPER ALLOY |
| MATERIAL | 100 MICRON NICKEL UNDERPLATED |
| PLATING TYPE | 8% PHOSPHOR BRONZE |
| PLATING THICKNESS: | (FU") GOLD PLATED |
| OPERATING TEMP | -40° C TO 125° C |
| CURRENT RATING | 250V AC MAX AT 2A |
| DIELECTRIC | 500V AC |
| INSULATION RES | 500MEGAOHMS |
| TERMINATION RES | 35 MAX AFTER ENVIRONMENTAL TESTS |
| TENSILE STRENGTH | 20 LBS (89N) MIN |
| DURABILITY | 500 MATING CYCLES |

COMPLIES WITH FCC68/F



| PART NO | DRAWING NO | BUYER COLOR | VENDOR COLOR | CUT LENGTH |
|---------|------------|-------------|--------------|------------|
| 170306 | 217-026-A | | | |
| | | | | |
| | | | | |

| | | | | |
|-----|-----------|---------------------------|-----|------|
| ⑦ | | | | |
| ⑥ | | | | |
| ⑤ | | | | |
| ④ | | | | |
| ③ | | | | |
| ② | | | | |
| ① | PLUG | 6P6C FU" | 1 | PCS |
| NO. | PART NAME | SPECIFICATION DESCRIPTION | QTY | UNIT |



| | | |
|-------------|---------------------|---|
| DRAWN BY: | DATE: 2013/09/27 | DESCRIPTION: R112(6P6C)Plug for Solid Round Wire 100pk |
| CHECKED BY | SHEET 1 of 1 | ITEM NO.170306 |
| APPROVED BY | SCALE 1:1 | REV. A/1 UNIT: mm |