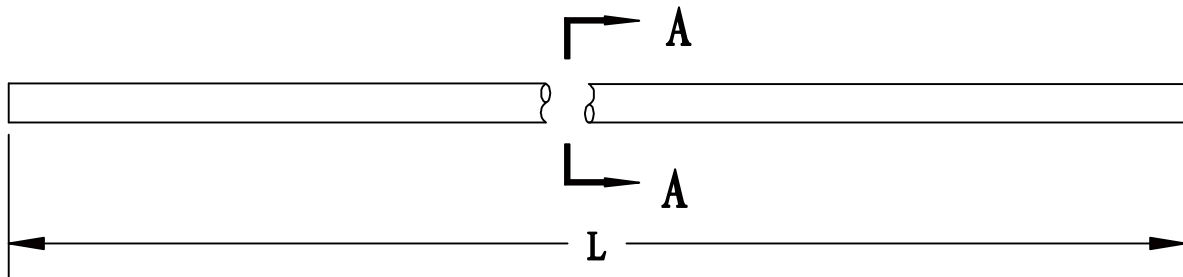
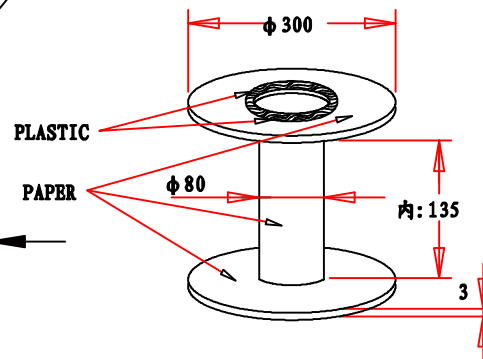
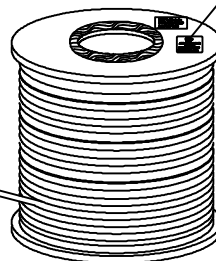
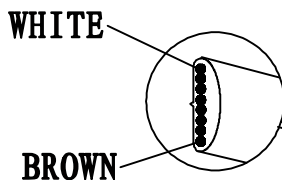
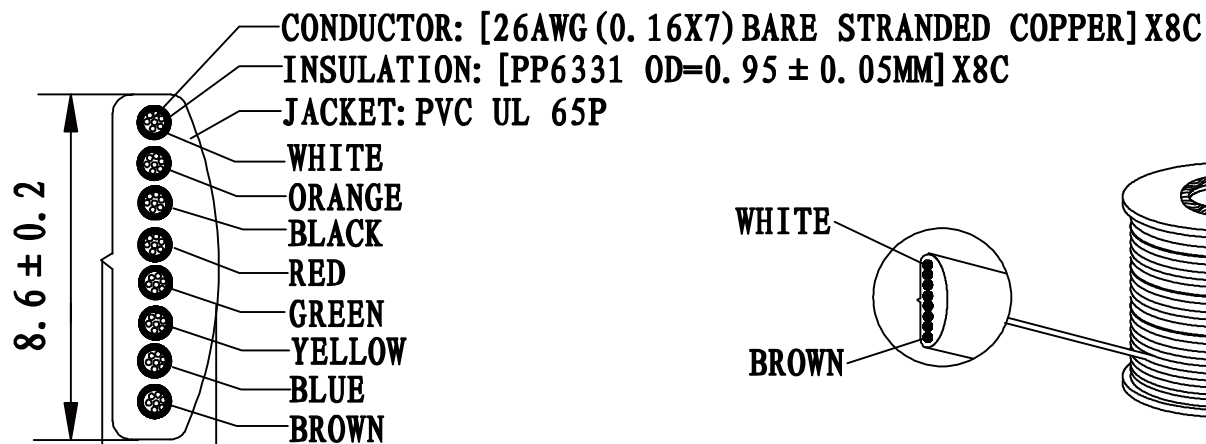


NOTE: ALL MATERIAL COMPLIANT ROHS STANDARD

REVISION INFORMATION			
Rev.	Rev. Date	Modified By	Brief Description
A/0	13-10-29	Y1029B	NEW DRAWING
A/1	13-11-05	T1105A	



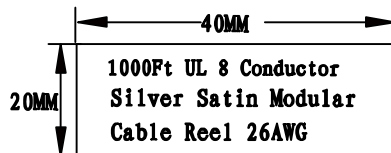
UL
: UL



1000FT/R.

1. BLACK INK MARKING: E166160 LINE TECH
 AWM 20251 60°C 150V 26AWG

SEC: A-A



PART NO	DRAWIM NO	CABLE LENGHT "L"	BUYER COLOR	VENDOR COLOR
170206	217-038-A	1000FT/R		S49-1



NO.	PART NAME	SPECIFICATION DESCRIPTION	QTY	UNIT
④		40X20MM	1	PCS
③	UL	44X28MM	1	PCS
②		φ 300X φ 80X 内 135X3MM	1	PCS
①	CABLE	1000FT/R 26AWG 8C	1	PCS

DRAWN BY:	DATE: 2013/11/05	DESCRIPTION: 1000FT/R 8C CABLE
CHECKED BY	SHEET 1 of 1	ITEM NO. 170206
APPROVED BY	SCALE 1:1	REV. A/1 UNIT: mm