

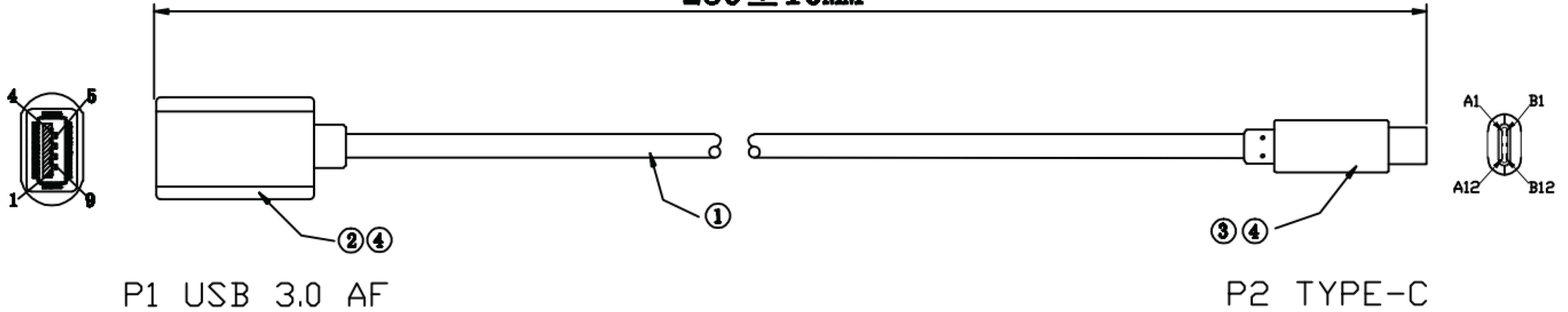
NOTE: ALL MATERIAL COMPLIANT ROHS STANDARD

OTG Function

REVISION INFORMATION

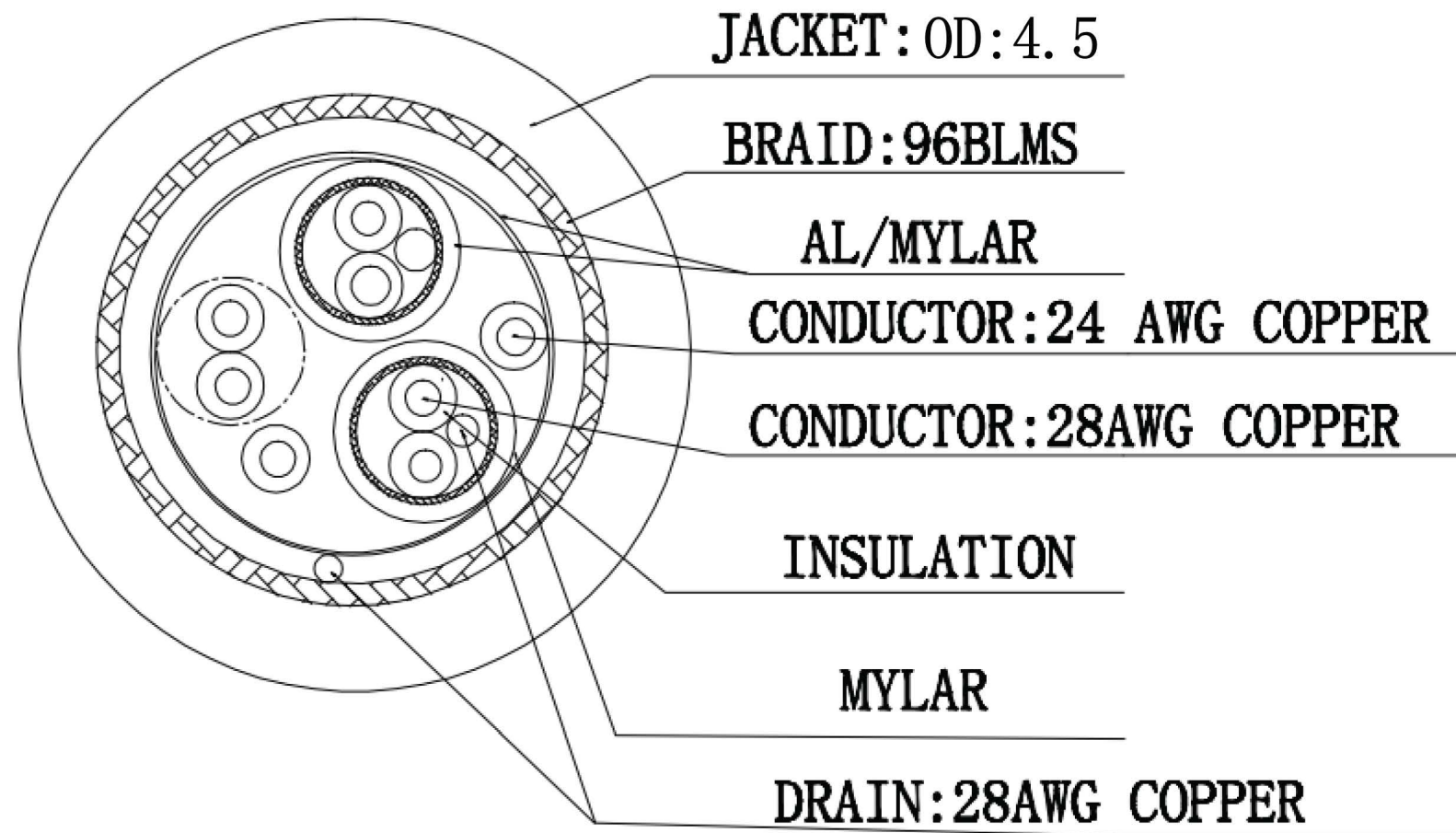
Rev.	Rev. Date	Modified By	Brief Description

230 ± 10MM

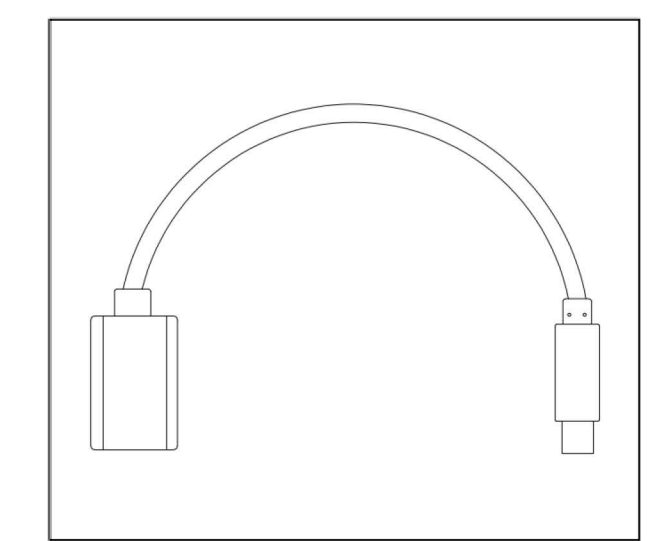


P1 USB 3.0 AF

P2 TYPE-C



P1	WIRE LIST	P2
1	RED 红 (VBUS)	A5
2	WHITE 白 (D-)	A4, B4, A9, B9
3	GREEN 绿 (D+)	A7
4	BRAID 黑 (GND)	A6
5	BLUE 兰 (TX1-1)	A1, B1, A12, B12
6	YELLOW 黄 (TX1+1)	A3
7	DRAIN 地 (GND)	A2
8	PURPLE 紫 (RX1-1)	A1, B1, A12, B12
9	ORANGE 橙 (RX1+1)	B10
SHELL	BRAID 大地 (GND)	B11
		SHELL



electronic test: High voltage: 150V
insulation: 10MΩ
breakover: 20Ω

1) .Material Lise:

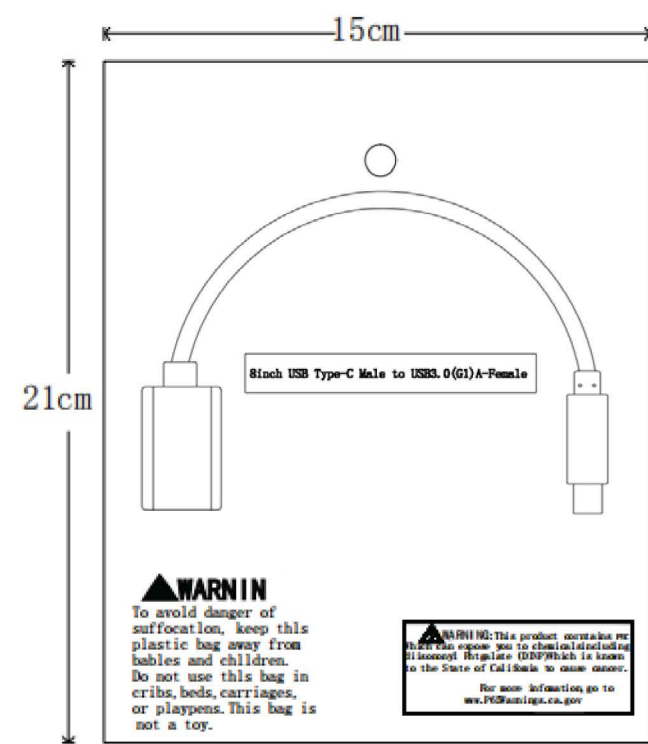
NO.	PART NAME	SPECIFICATION DESCRIPTION	QTY	UNIT
⑤	Identification	ROHS	YES	
④	Outer Moakling	PVC 45P Black	NA	KG
③	Connector	USB3.1 C TYPE MALE, Stertch shell	1	PCS
②	Connector	USB3.0 A FEMALE, SOLDER TYPE, BLUE INSULATION SHELL NICKEL PLATED;	1	PCS
①	Wire	(1P*30AWG+D+AL+MY)*2C+1P*30AWG+2C*24AWWG+AL+D+B OD:4.5MM	3	FT

DRAWN BY	DATE: 2021. 3. 12	DESCRIPTION: 8inch USB Type C Male to USB3.0(G1) A-Female OTG Cable
CHECKED BY	SHEET 1 of 1	ITEM NO. 150197
APPROVED BY	SCALE 1:1	REV. 00 UNIT: mm

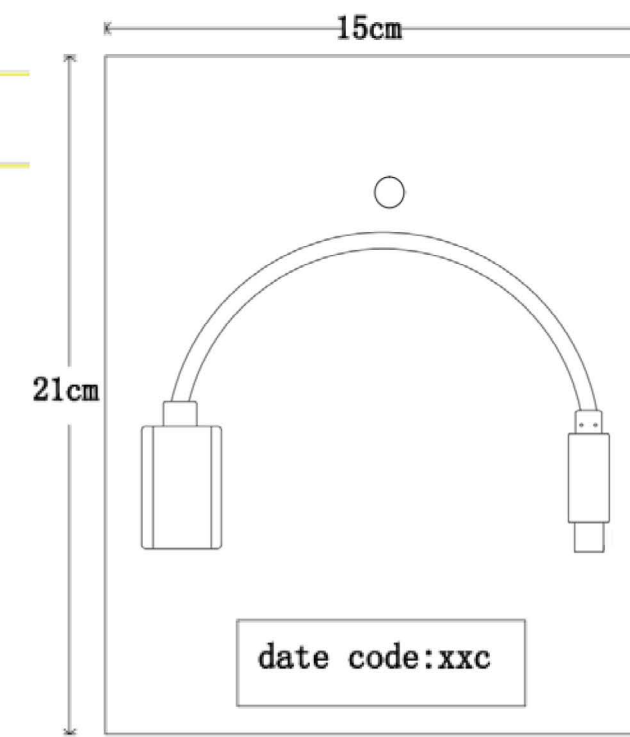
NOTE: CARTON MATERIAL MUST BE A=A

REVISION INFORMATION			
Rev,	Rev. Date	Modified By	Brief Description

front side



behind side



Bag Material: Poly Ethylene

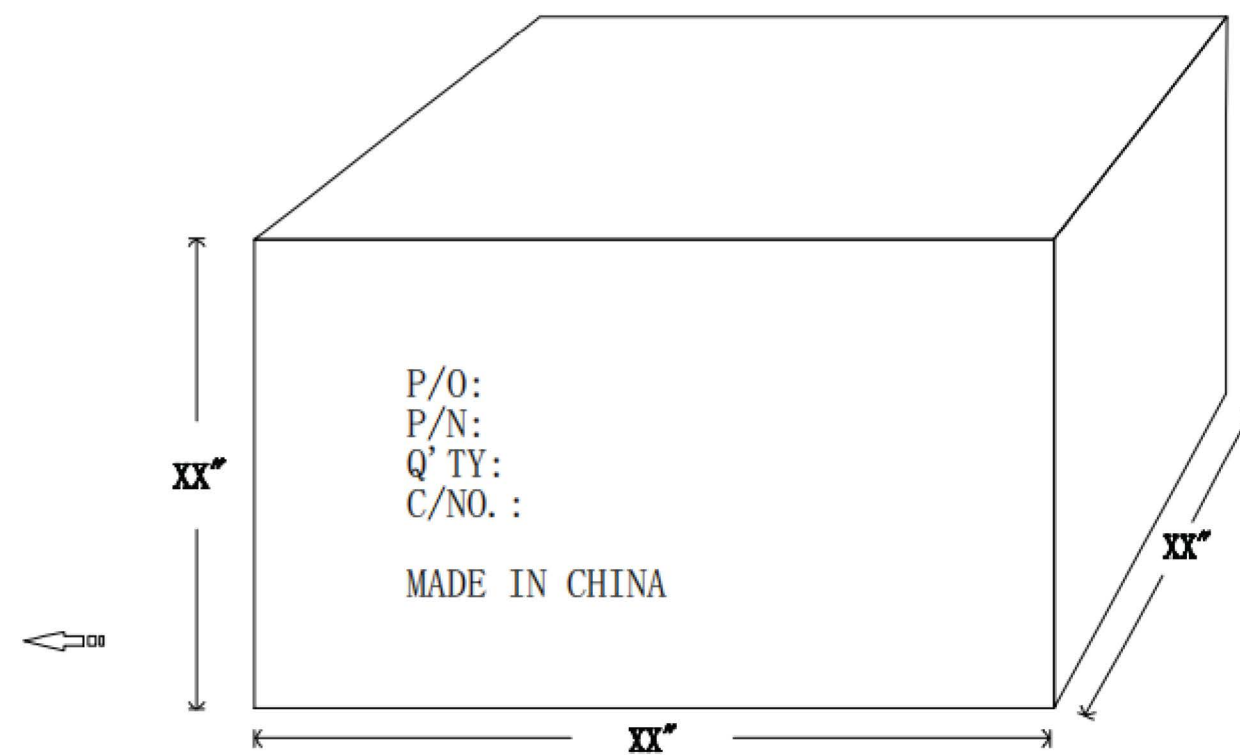
Print content

Side Mark

		RoHS Compliant
P/N: 150197		
Q' TY: 500 PCS		
N.W. : 9 KGS		
G.W. : 9.8 KGS		
Date Code: XX-XXX		
Vender Code : PS00523		

Main Mark

P/O: P/N: 150197 Q' TY: 500PCS C/NO. : Dxxx MADE IN CHINA



Carton Size: 21.26*14.57*8.67
 Carton Quantity: 500PCS
 Carton Weight: 48.4LBS



DRAWN BY	DATE: 2021.3.12	DESCRIPTION: 8inch USB Type C Male to USB3.0(G1) A-Female OTG Cable
CHECKED BY	SHEET 1 of 1	ITEM NO. 150197
APPROVED BY	SCALE 1:1	REV. 00 UNIT: mm