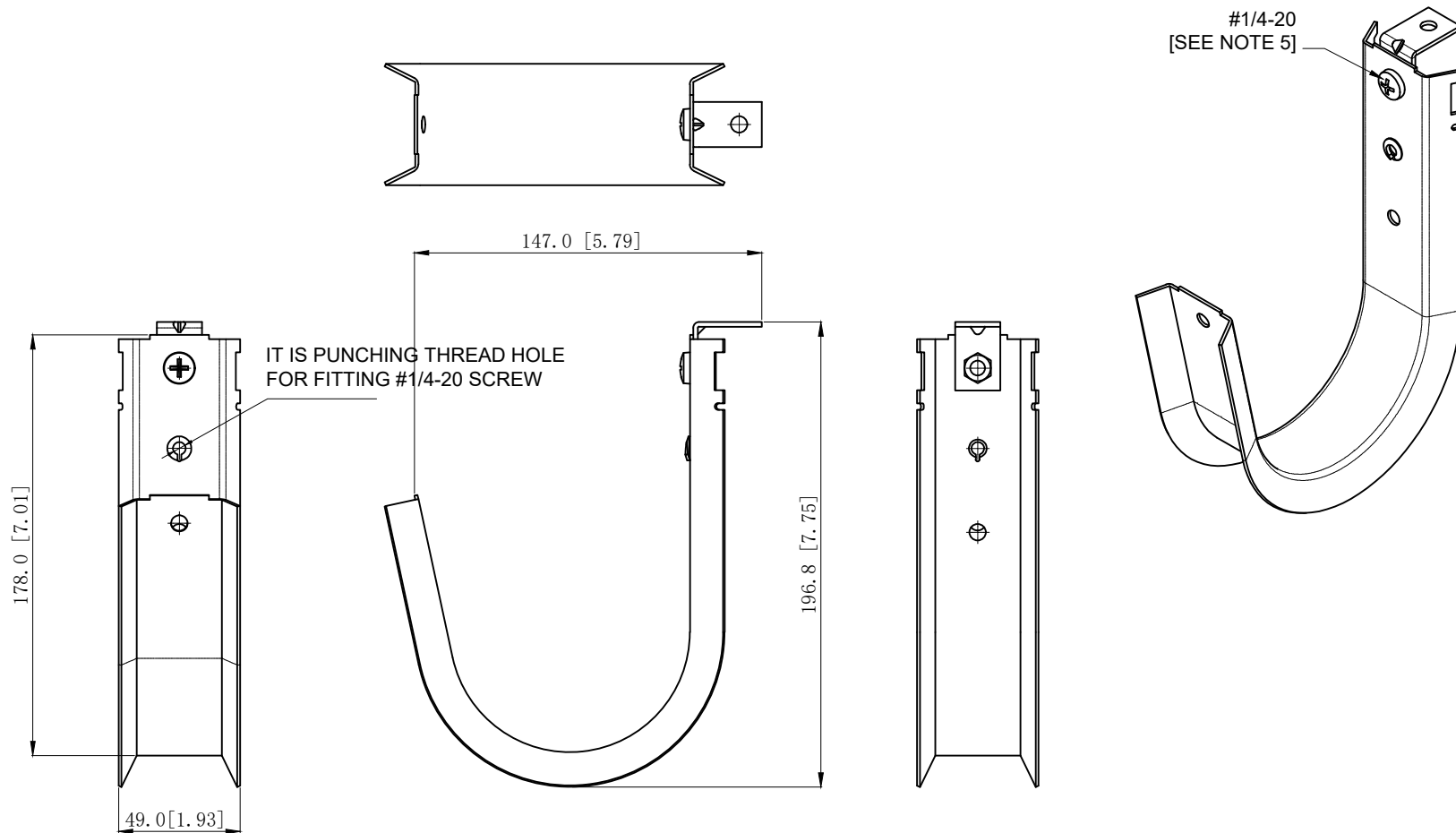


Catalog Number	B	C	ΦD	Diameter(ΦA)	Cable capacity Cat 6/Cat 5e/Fiber Optic	Static Load(F)	Standard Box Quantity	Retaining Clip
104233	178.0 [7.01]	49.0 [1.93]	1/4"	4"	185/300/300	60LBS	25	104243, 4"



NOTES:

- 1.All dimensions in millimeters and [inches];
- 2.Free of sharp edge and burrs.max burr 0.127[0.005].
- 3.Material: Pre galvanized (G60) , Thickness: 1.20mm [0.047] .
- 4.Every carton need one instruction sheet, the instruction need spring front and back
- 5.1pcs #1/4-20×3/8 combo philips/slotted round head machine screw. zinc plated;
- 6.1pcs #1/4-20 nut. zinc plated.

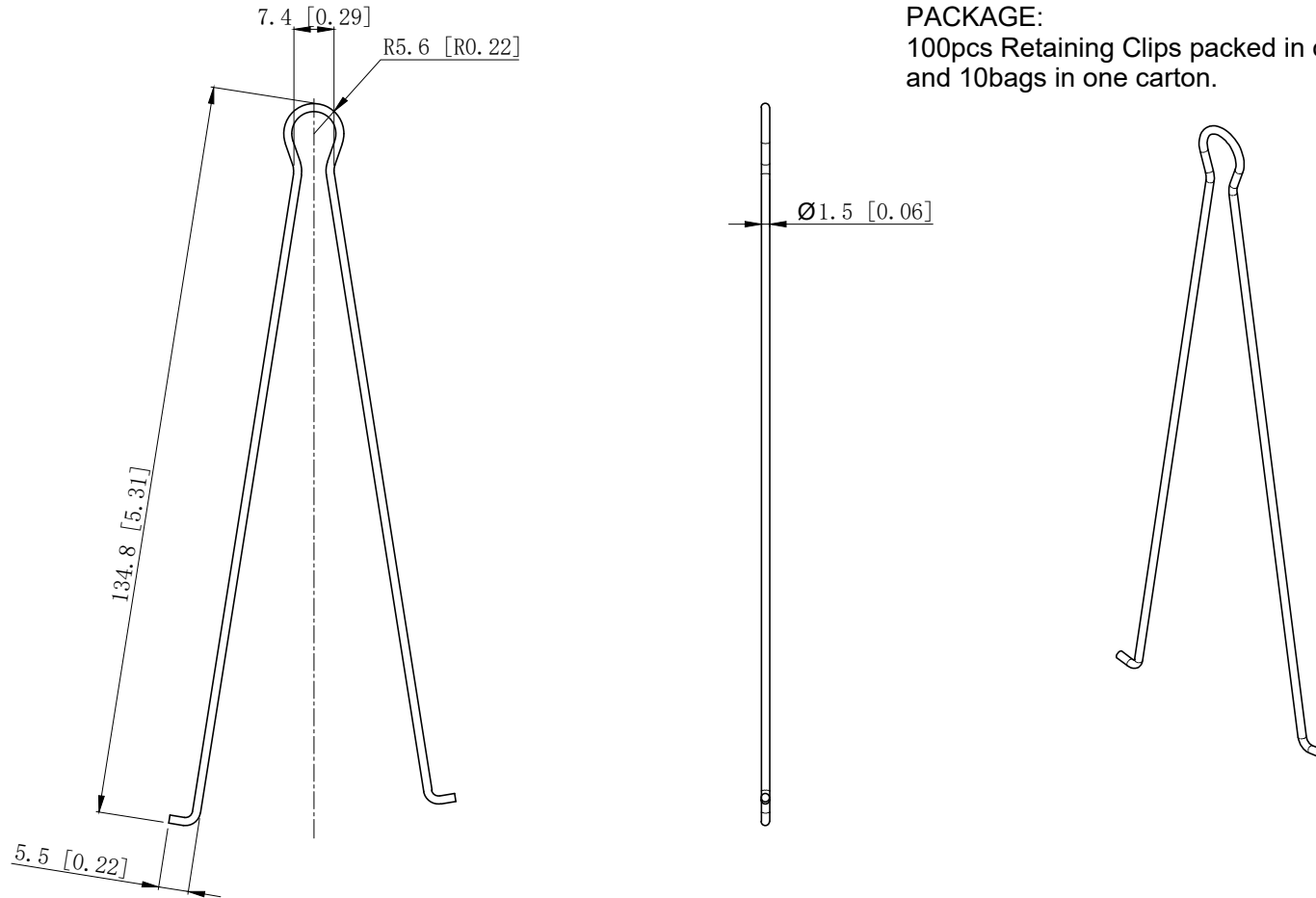


SIZE	DWG NO.	104233	REV
A4			

4" J Hook Retaining Clip

PACKAGE:

100pcs Retaining Clips packed in one PE self-sealing bag and 10bags in one carton.



NOTES:

- 1.All dimensions in millimeters and [inches].
- 2.Free of sharp edge and burrs.max burr 0.127[0.005].
- 3.Material: Galvanized steel wire , Thickness: Ø1.50mm [0.059] .

TOLERANCES UNLESS OTHERWISE SPECIFIED		NAME	DATE	BESTLINK NETWORKARE	
INCHES	MILLIMETER	DRAMN	YUAN	2022.8.17	TITLE
ANGULAR:	ANGULAR:	CHECKED			
X, X: ±0.1	X: ±2.54	APPROVED (A)			SIZE DWG NO. 104243 REV
X, X X: ±0.05	X, X: ±1.27	APPROVED (Customer)			
X, X X X: ±0.008	X, X X: ±0.203				SCALE: 1:1
MATERIAL	FINISH	CADDY	ORBIT	RACO	PRINT DATE
Galvanized steel wire	NO OIL	-	-	-	REFERENCES
THIRD ANGLE PROJECTION					SHEET 1 OF 1