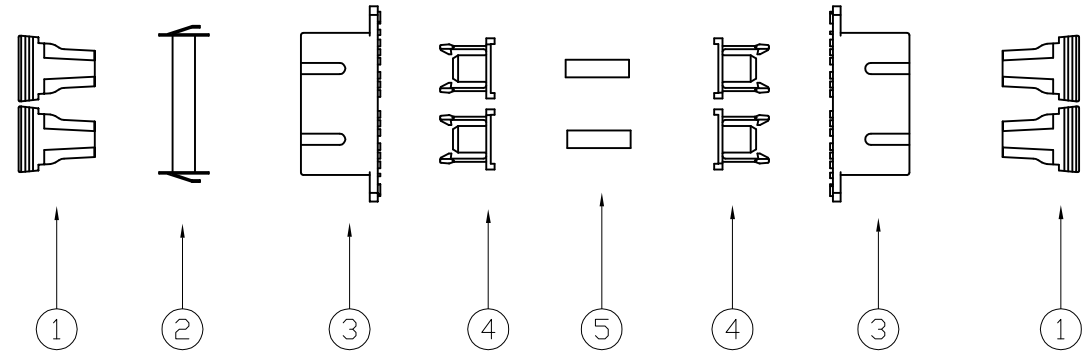
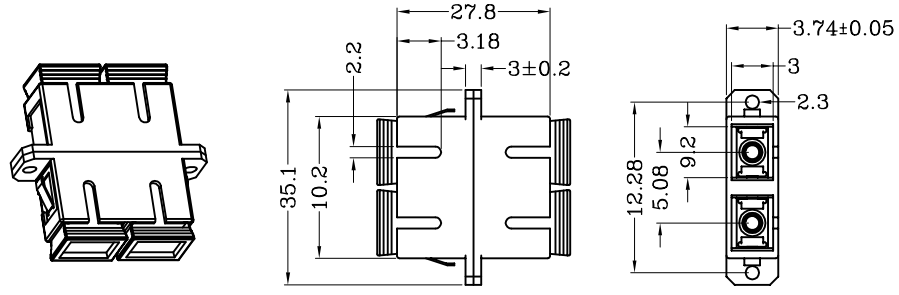


NOTE: ALL MATERIAL COMPLIANT ROHS STANDARD

REVISION INFORMATION			
Rev.	Rev. Date	Modified By	Brief Description

PART	MAT NO.	PAPT NAME	MAT.
1	FBK-ADAPTER-SC-014	DUST CAP	PP
2	FBK-ADAPTER-002	SHRAPNEL_Double	SUS304
3	FBK-ADAPTER-SC-003	OUTER HOUSER_Double	PC
4	FBK-ADAPTER-SC-005	CORE	PET+GF
5	FBK-ADAPTER-SC-013	SLEEVES	CERAMIC

Parameter	SC-SC			
	SM	MM	APC	OM3
Insertion Loss(db)	≤0.25	≤0.25	≤0.25	≤0.25
Mechanical Durability	>500			
Sleeve	ZrO2			
Operation wavelength	1310nm~1550nm~850nm			
Operating Temperature(°C)	-40~+75			
Storage Temperature(°C)	-40~+85			



Remark: no certification



NO.	PART NAME	SPECIFICATION DESCRIPTION	QTY	UNIT
③				
②				
①				

DRAWN BY	DATE: 2013/12/10	DESCRIPTION: SC DX Adapter
CHECKED BY	SHEET 1 of 1	ITEM NO. 102903
APPROVED BY	SCALE 1:1	REV. 00 UNIT: mm