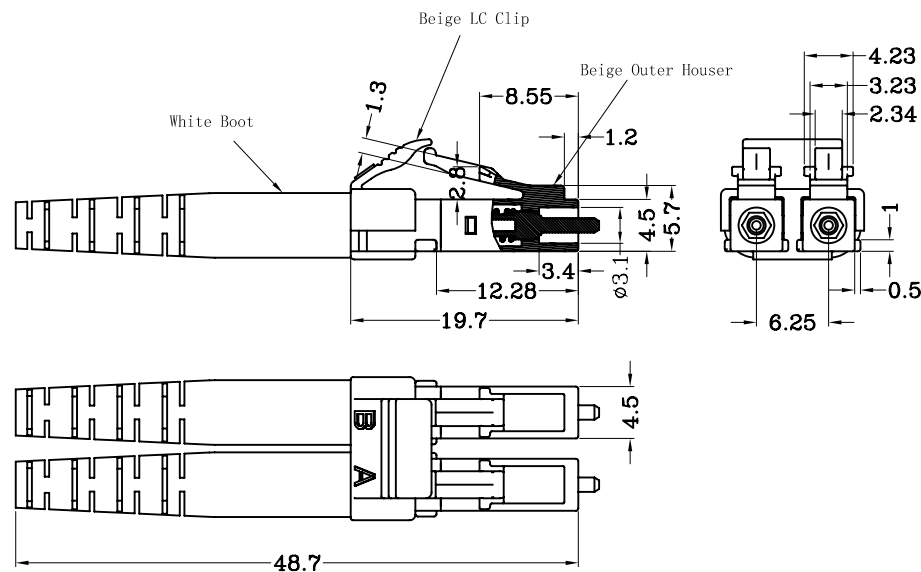


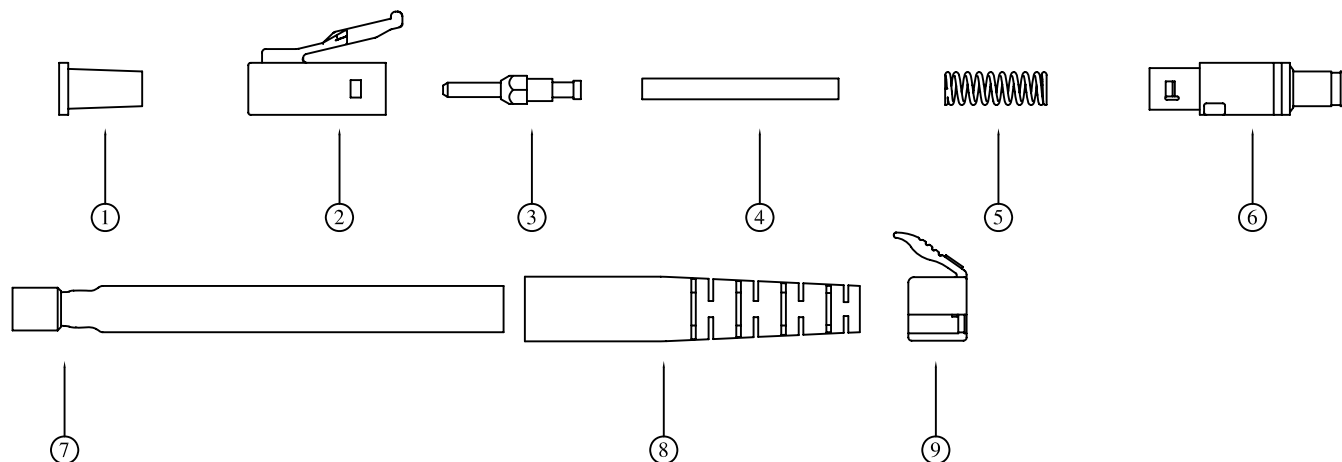
NOTE: ALL MATERIAL COMPLIANT ROHS STANDARD

REVISION INFORMATION


Rev.	Rev. Date	Modified By	Brief Description



PART	MAT NO.	PAPT NAME	MAT.
1	FBK-COLC-001	DUST CAP	PP
2	FBK-COLC-002	OUTER HOUSER	PEI
3	FBK-COLC-004/005	LC-FERRULE	ZrO2/CU
4	FBK-COLC-014	TUBE	PTFE
5	FBK-COLC-003	SPRING	SUS303
6	FBK-COLC-007	INNER HOUSER	PEI
7	FBK-COLC-011	CRIMPING 2.0	Al
8	FBK-COLC-012	BOOT 3.0	SEBS
9	FBK-COLC-008	LC Clip	PEI



NO.	PART NAME	SPECIFICATION DESCRIPTION	QTY	UNIT
③				
②				
①				



DRAWN BY	DATE: 2014/09/17	DESCRIPTION: LC-connector 2.0
CHECKED BY	SHEET 1 of 1	ITEM NO. 102893
APPROVED BY	SCALE 1:1	REV. 00
	UNIT: mm	