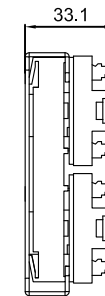
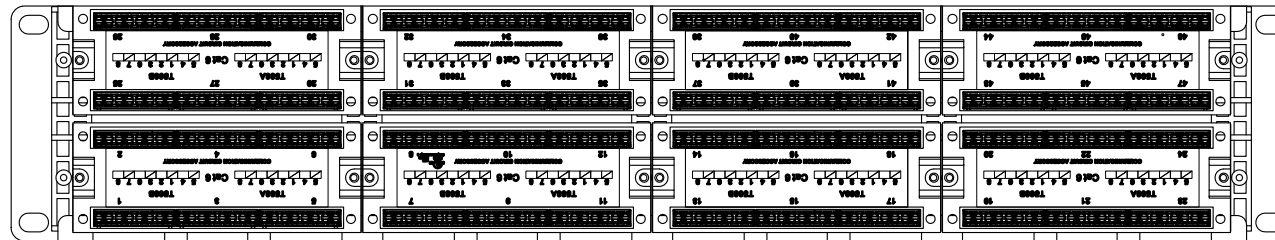
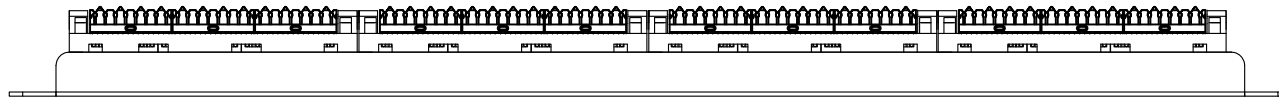
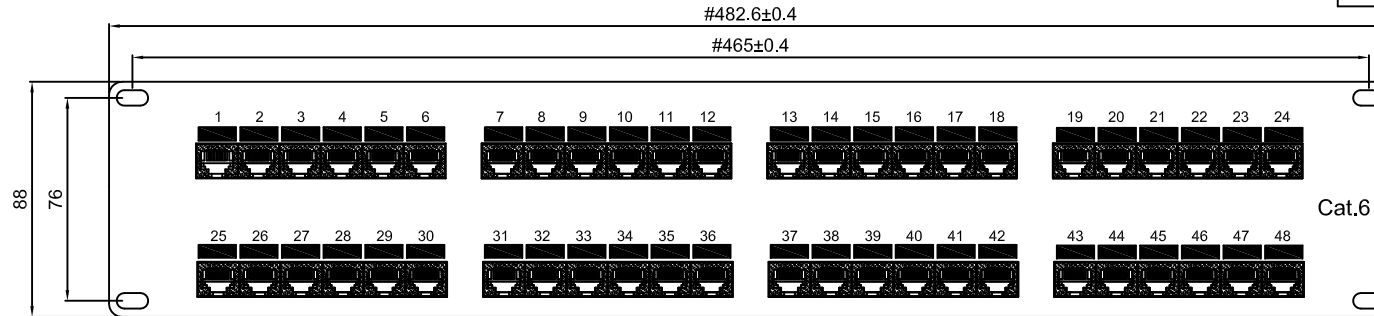


NOTE: ALL MATERIAL COMPLIANT ROHS STANDARD

REVISION INFORMATION			
Rev.	Rev. Date	Modified By	Brief Description



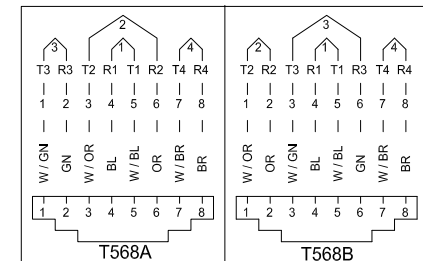
ACCORDING TO ANSI/TIA-568-C.2
REQUIREMENTS
C6 CHANNEL COMPLIANT

Cat 6

56Y4
E145249



COMMUNICATION
CIRCUIT ACCESSORIES



Physical Specification
 Panel: SPCC
 Jack Housing: PBT UL94V-0
 Spring PIN: Phosphor Bronze C5210, t=0.3mm,
 Plating 120u" Matte Tin over 60u" Nickel undercoat,
 Besides Plating 50u" Gold over the plated surface on contact area.
 PIN Holder: PBT UL94V-0.
 IDC Housing: PC UL94V-0
 IDC Contact: Phosphor Bronze C5191, t=0.4mm, 200u" Matte Tin over 100u" soft Nickel undercoat
 PCB: FR-4

Insertion Life: 750 mating cycles with FCC compliant RJ-45 plug
 Contact Force: 100 grams with FCC compliant RJ-45 plug
 Plug Retention Force: 11 lbf min
 Durability: 200 termination cycles
 Contact Compatibility: Accommodates 22 to 26 AWG solid/24 AWG stranded
 SUITABLE IMPACT TOOL: 110 STYLE PUNCHDOWN TOOL
 Operating Temperature Range: -10 °C to 60 °C
 Storage Temperature Range: -40 °C to 68 °C
 Humidity: 10%~90%RH

Electrical
 Insulation Resistance: 500 MΩ.
 Dielectric Withstanding Voltage: 1000 V AC.
 DC Current Rating: 1.5 Amps .
 DC Resistance: 0.1Ω.
 Contact Resistance: 20 MΩ.

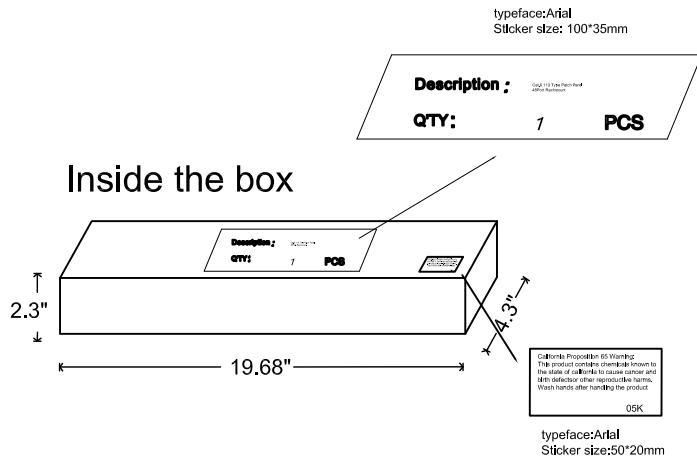
NO.	PART NAME	SPECIFICATION DESCRIPTION	QTY	UNIT
③				
②	Cable Ties	3*100MM	12*4	PCS
①	IDC Cap	15*9.5*9.6MM	24*2	PCS

DRAWN BY	WLL	DATE:	2017/06/15	DESCRIPTION:	Cat.6 110 Type Patch Panel 48Port Rackmount
CHECKED BY		SHEET	1 of 1	ITEM NO.	102193
APPROVED BY		SCALE	1:2	REV.	01
				UNIT:	mm

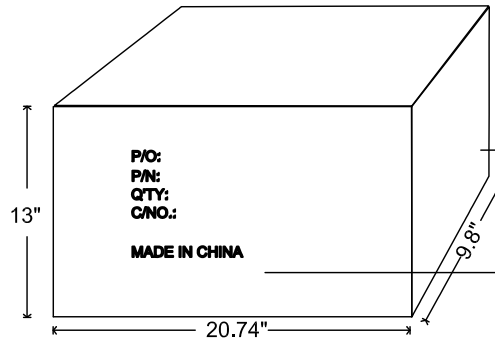
NOTE: CARTON MATERIAL MUST BE A=A

REVISION INFORMATION

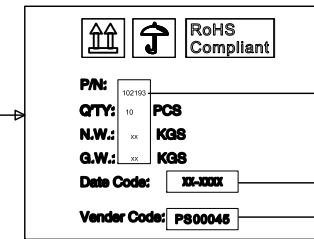
Rev.	Rev. Date	Modified By	Brief Description



Outside the box



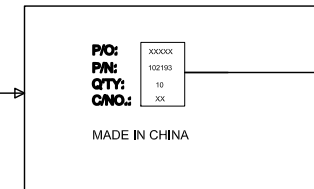
Side Mark



LABEL-3
Box label size 90*120mm

LABEL-4
Box label size 70*25mm

Main Mark



LABEL-5
Box label size 90*120mm

Unit package
Size: 19.68"(L)*4.3"(W)*2.3"(H)
Weight: XXLBS

Carton Size: 20.74"(L)*9.8"(W)*13"(H)
Carton Quantity: 15PCS
Carton Weight: XXLBS



NO.	PART NAME	SPECIFICATION DESCRIPTION	QTY	UNIT
③				
②				
①				

Unless specified on the drawing, tolerances are per the follows:
 .x +1
 .xx +0.2
 .xxx +0.05

DRAWN BY	DATE: 2017/06/15	DESCRIPTION: Cat.6 110 Type Patch Panel 48Port Rackmount	
CHECKED BY	SHEET 1of2	ITEM NO. 102193	
APPROVED BY	SCALE 1:1	REV. 00	UNIT: mm