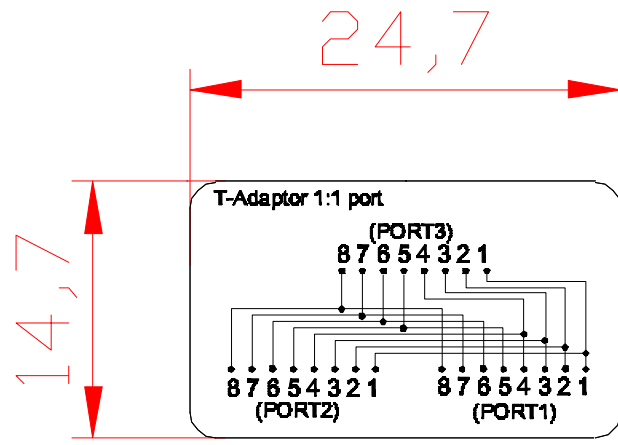
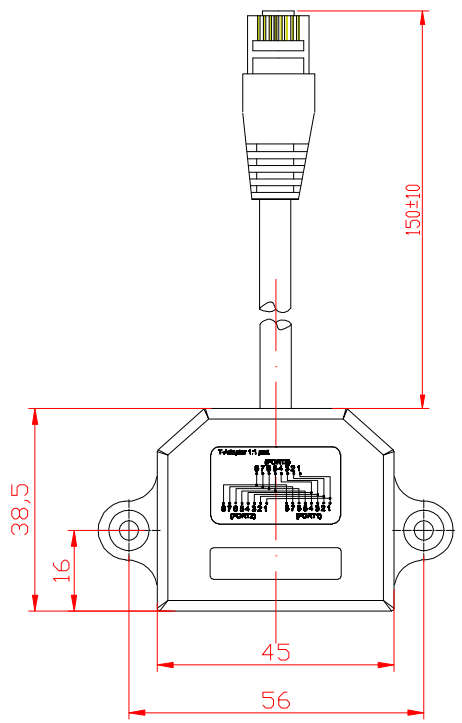
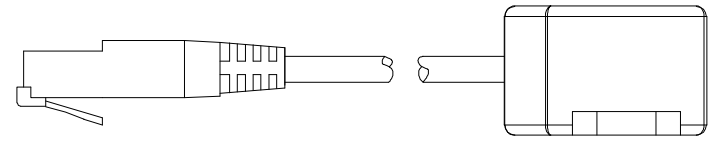
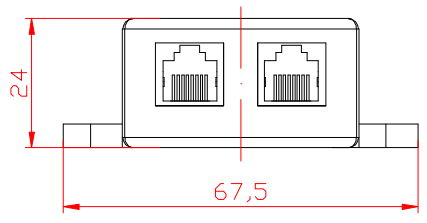


NOTE: ALL MATERIAL COMPLIANT ROHS STANDARD

REVISION INFORMATION			
Rev.	Rev. Date	Modified By	Brief Description
	2015/12/8	zhujianping	the original Modular plug's cover is removed



material: ABS



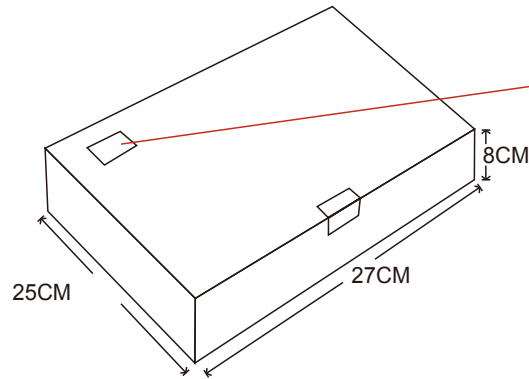
NO.	PART NAME	SPECIFICATION DESCRIPTION	QTY	UNIT
③				
②				
①				

DRAWN BY	DATE: 2015/10/09	DESCRIPTION: 10/100 BaseT 1P/2J Type 07 Wiring Splitter, Pigtail Type	
CHECKED BY	SHEET 1 of 2	ITEM NO. 102102	
APPROVED BY	SCALE 1:3	REV. 00	UNIT: mm

NOTE: ALL MATERIAL COMPLIANT ROHS STANDARD

REVISION INFORMATION			
Rev.	Rev. Date	Modified By	Brief Description

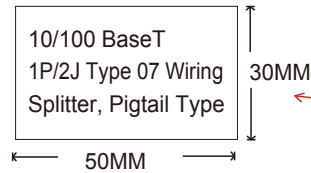
Inside the box color:Leather case



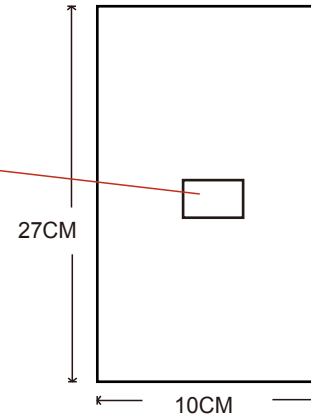
Unit package

Size: 27X25X8CM
Weight: 1.05 KGS
QTY.: 25 PCS

label:50*30MM

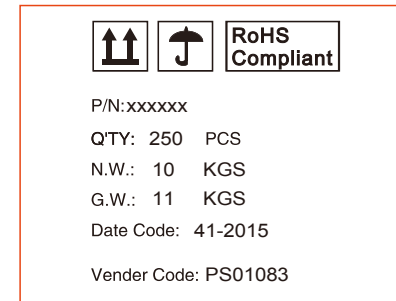


Flat pocket

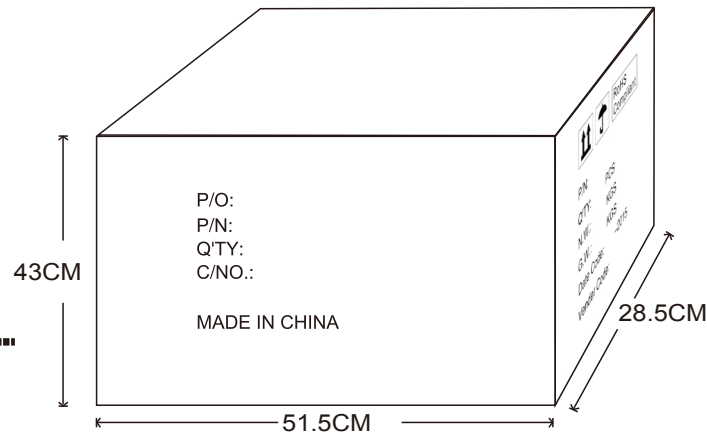


Size: 10X27CM
Weight: 0.036 KGS
QTY.: 1 PCS

Side Mark



Main Mark



Carton Size: 51.5X28.5X43 CM
Carton Quantity: 250 PCS
Carton Weight: 11 KGS



NO.	PART NAME	SPECIFICATION DESCRIPTION	QTY	UNIT
③				
②				
①				

DRAWN BY	DATE: 2015/10/09	DESCRIPTION: 10/100 BaseT 1P/2J Type 07 Wiring Splitter, Pigtail Type
CHECKED BY	SHEET 2 of 2	ITEM NO. 102102
APPROVED BY	SCALE 1:3	REV. 00 UNIT: mm