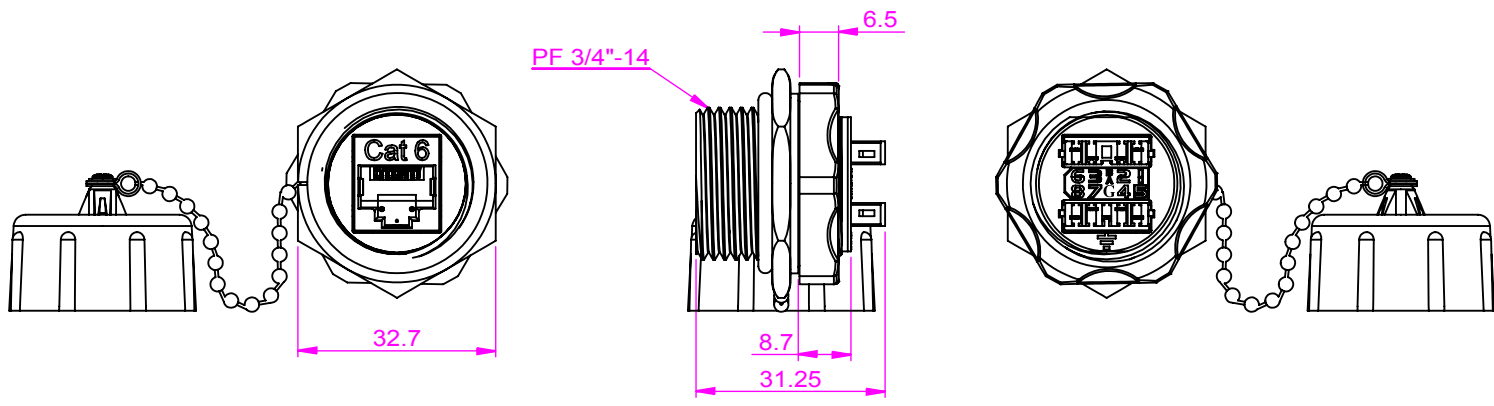


NOTE: ALL MATERIAL COMPLIANT ROHS STANDARD

REVISION INFORMATION			
Rev.	Rev. Date	Modified By	Brief Description



**MATERIAL**

MAIN BODY & DUST CAP :PBT+GF,UL94V-0.  
 SHIELDED CASE : BRASS,NICKEL PLATED.  
 JACK HOUSING : PC,UL94V-0.  
 CONTACT HOLDER : PC,UL94V-0.  
 JACK CONTACTS : PHOSPHOR BRONZE,50U" GOLD PLATED.  
 IDC PLASTIC : PC,UL94V-0.  
 IDC TERMINALS : PHOSPHOR BRONZE ,TIN OVER NICKEL UNDERCOAT.

**PHYSICAL CHARACTERISTICS**

SUITABLE IMPACT TOOL : 110 STYLE PUNCH DOWN TOOL.  
 INSERTION LIFE : 750 MATING CYCLES WITH FCC COMPLIANT 8P PLUG.  
 CONTACT FORCE : 100 GRAMS WITH FCC COMPLIANT 8P PLUG.  
 PLUG RETENTION FORCE : 11 LBF MIN.  
 DURABILITY : 200 TERMINATION CYCLES.  
 CONTACT COMPATIBILITY : ACCOMMODATES 22 TO 24 AWG SOLID.  
 OPERATING TEMPERATURE RANGE : -10°C TO 60°C.  
 STORAGE TEMPERATURE RANGE : -40°C TO 68°C.  
 HUMIDITY : 10%-90%RH.

**ELECTRICAL**

INSULATION RESISTANCE : 500 MΩ.  
 DIELECTRIC WITHSTANDING VOLTAGE : 1000 V AC.  
 DC CURRENT RATING : 1.5 Amps.  
 DC RESISTANCE : 0.1Ω.  
 CONTACT RESISTANCE : 20mΩ.

**NOTE**

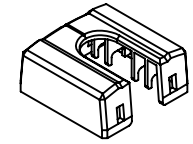
- WILL NOT SUPPORT CHANNEL SHORTER THAN 15M.
- ONLY ACCEPT RJ-45 8P8C PLUG.

ACCORDING TO: ANSI/TIA-568-C.2  
 ISO/IEC 11801 2nd Edition  
 IEC 60603-7

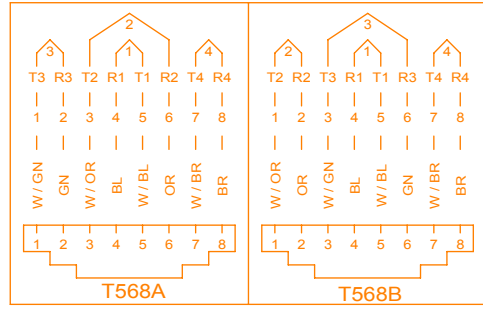
**IP67**

ACCORDING TO IEC 60529:2001-02  
 Degrees of Protection Provided by Enclosures  
 6: Dust-tight  
 7: Protected from immersion in water for 30 minutes at a depth of 1 meter.

**ENCLOSURE**  
 IDC CAP X 1 PC



**Cat 6**  
 56Y4  
 E145249



DRAWN BY WJH	DATE: 2015/09/21	DESCRIPTION: Cat.6 RJ45 Shielded Industrial Panelmount Jack with Dust Cap
CHECKED BY	SHEET 1 of 1	ITEM NO. 102053
APPROVED BY	SCALE 2:3	REV. 00 UNIT: mm

NO.	PART NAME	SPECIFICATION DESCRIPTION	QTY	UNIT
③				
②				
①				