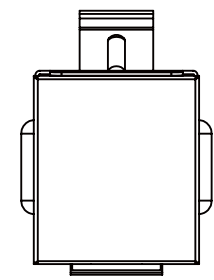
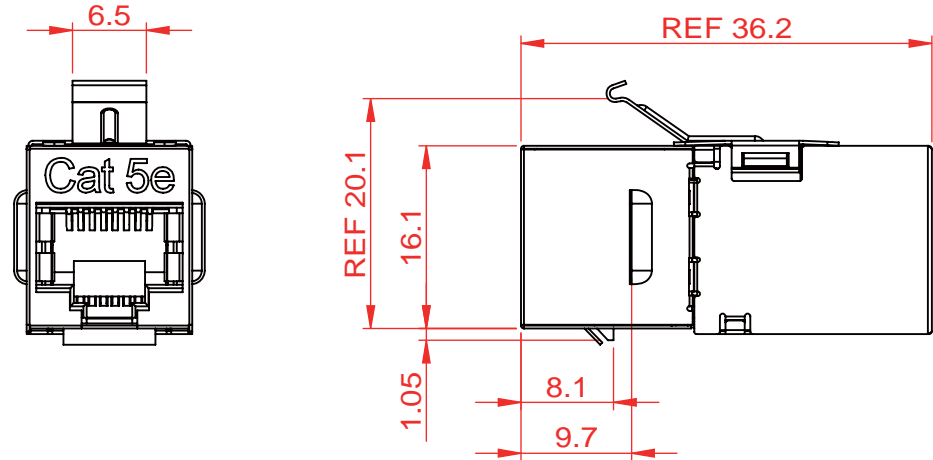
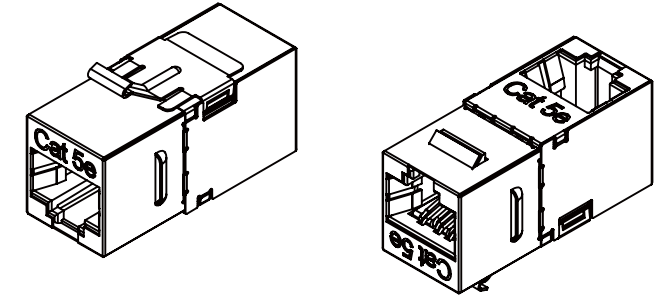
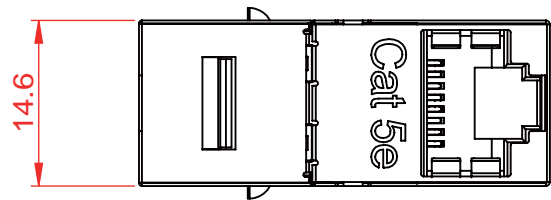
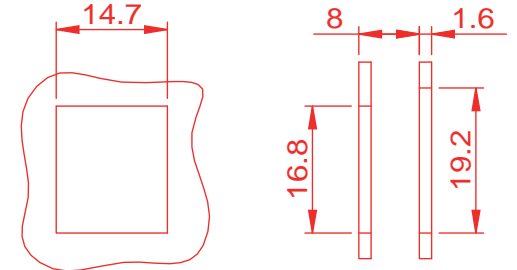


NOTE: ALL MATERIAL COMPLIANT ROHS STANDARD

REVISION INFORMATION			
Rev.	Rev. Date	Modified By	Brief Description



SUGGESTED MOUNTING CUTOUT



ACCORDING TO : ANSI/TIA-568-C.2
ISO/IEC 11801 2nd Edition
IEC 60603-7



COMMUNICATION
CIRCUIT ACCESSORIES

Cat 5e



NO.	PART NAME	SPECIFICATION DESCRIPTION	QTY	UNIT
③				
②				
①				

Unless specified on the drawing, tolerances are per the follows:
 .x +1
 .x +0.2
 .xx +0.05

DRAWN BY	DATE: 2018/04/27	DESCRIPTION: Cat.5E STP Coupler	
CHECKED BY	SHEET 1of1	ITEM NO. 102014WT	
APPROVED BY	SCALE 1:1	REV. 00	UNIT:mm

NOTE: CARTON MATERIAL MUST BE A=A

REVISION INFORMATION			
Rev.	Rev. Date	Modified By	Brief Description

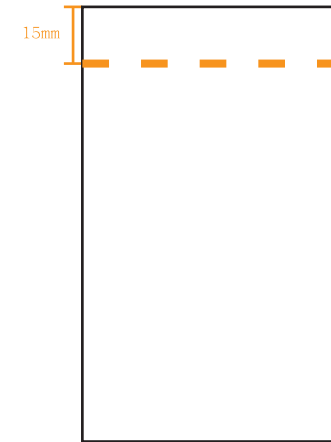
Inner Box Dimensions	Q'ty pre Inner Box	Q'ty pre Outerr Box	Outer Box Dimensions	CUFT
348*233*206MM	250	4	485*361*436MM	2.9



Inner Box

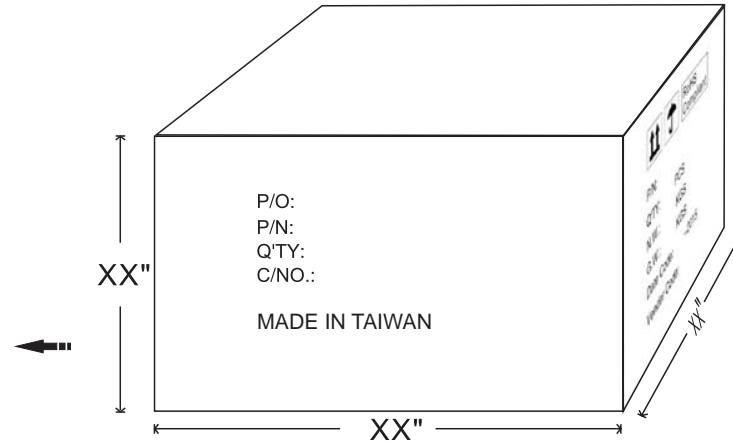


Outer Box



Size: W70*H115 (mm)

P/O: 1800100
 P/N: 102014WT
 Q'TY: 1000
 C/NO.:
 MADE IN TAIWAN



Carton Size: 48cm x 37.5cm x 45cm
 Carton Quantity: 1000PCS
 Carton Weight: 9.8kg

**RoHS
Compliant**

P/N: 102014WT
 Q'TY: 1000 PCS
 N.W.: KGS
 G.W.: KGS
 Date Code: 35-2011
 Vender Code:

DRAWN BY	DATE: 2018/04/26	DESCRIPTION: Cat.5E STP Coupler	
CHECKED BY	SHEET 1 of 2	ITEM NO. 102014WT	
APPROVED BY	SCALE 1: 1	REV. 00	UNIT: mm