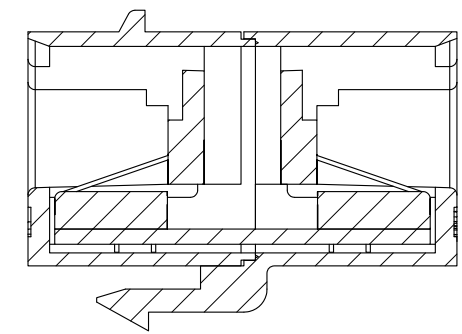
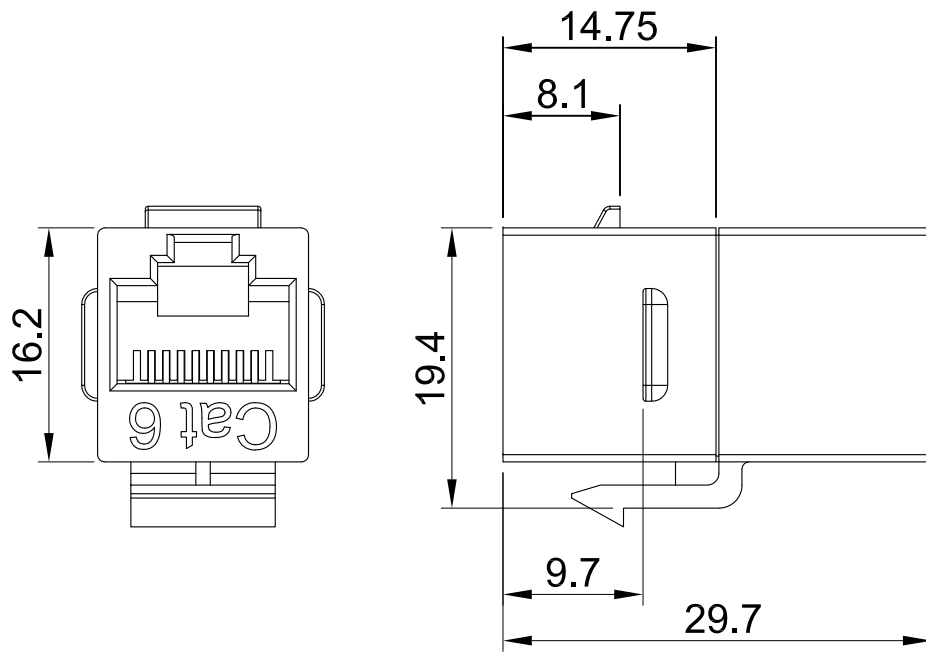


NOTE: ALL MATERIAL COMPLIANT ROHS STANDARD

| REVISION INFORMATION |           |             |                   |
|----------------------|-----------|-------------|-------------------|
| Rev.                 | Rev. Date | Modified By | Brief Description |
|                      |           |             |                   |



SECTION A-A

**MATERIAL**

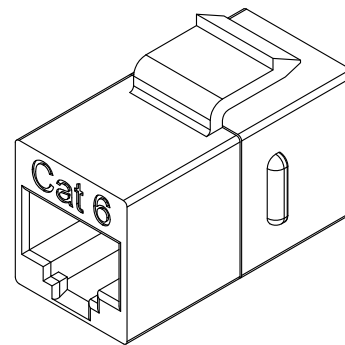
COUPLER HOUSING : ABS high-impact UL94V-0 thermoplastic  
 SPRING WIRE : Phosphor Bronze 5210R temper wire, T=0.3mm, 50u" Gold over 100u" Nickel undercoat  
 CONTACT HOLDER : PBT high-impact UL94V-0 thermoplastic

**PHYSICAL CHARACTERISTICS**

INSERTION LIFE : 750 MATING CYCLES WITH FCC COMPLIANT RJ-45 PLUG  
 CONTACT FORCE : 100 GRAMS WITH FCC COMPLIANT RJ-45 PLUG  
 PLUG RETENTION FORCE : 11 LBF MIN.  
 OPERATING TEMPERATURE RANGE : -10 C TO 60 C  
 STORAGE TEMPERATURE RANGE : -40 C TO 68 C  
 HUMIDITY : 10%~90%RH

**ELECTRICAL**

INSULATION RESISTANCE : 500 MΩ  
 DIELECTRIC WITHSTANDING VOLTAGE : 1000 V  
 DC CURRENT RATING : 1.5 Amps  
 DC RESISTANCE : 0.1Ω  
 CONTACT RESISTANCE : 20mΩ



**Cat 6**

56Y4  
 E145249



| NO. | PART NAME | SPECIFICATION DESCRIPTION | QTY | UNIT |
|-----|-----------|---------------------------|-----|------|
| ③   |           |                           |     |      |
| ②   |           |                           |     |      |
| ①   |           |                           |     |      |

|                    |                 |   |
|--------------------|-----------------|---|
| DRAWN BY LIJIANWEI | DATE: 2013/5/13 | DESCRIPTION: Cat.6 Inline Coupler w/Keystone Latch XX |
| CHECKED BY         | SHEET 1 of 1    | ITEM NO. 102010BK/ 102010BL/ 102010WT                 |
| APPROVED BY        | SCALE 2.5:1     | REV. 00 UNIT: mm                                      |