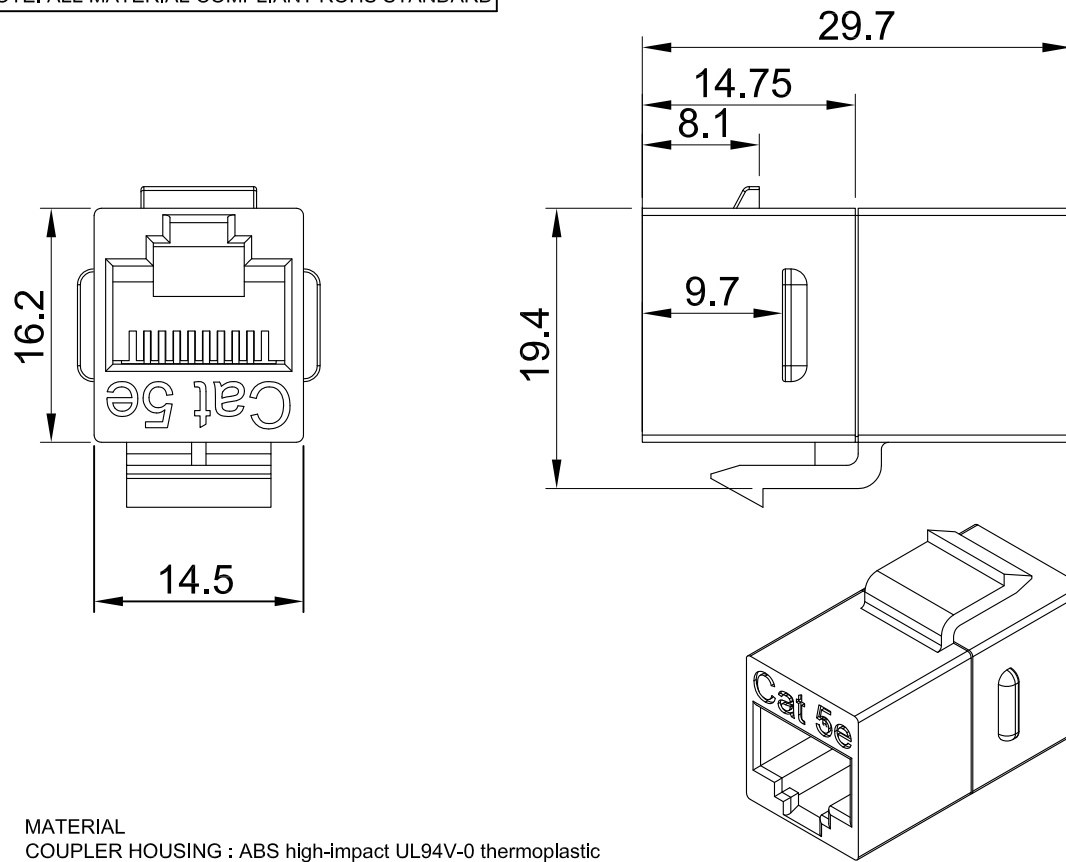


NOTE: ALL MATERIAL COMPLIANT ROHS STANDARD



**MATERIAL**

COUPLER HOUSING : ABS high-impact UL94V-0 thermoplastic  
 SPRING WIRE : Phosphor Bronze 5210R temper wire, T=0.3mm, 50u" Gold over 100u" Nickel undercoat  
 CONTACT HOLDER : PBT high-impact UL94V-0 thermoplastic

**PHYSICAL CHARACTERISTICS**

INSERTION LIFE : 750 MATING CYCLES WITH FCC COMPLIANT RJ-45 PLUG  
 CONTACT FORCE : 100 GRAMS WITH FCC COMPLIANT RJ-45 PLUG  
 PLUG RETENTION FORCE : 11 LBF MIN.  
 OPERATING TEMPERATURE RANGE : -10 C TO 60 C  
 STORAGE TEMPERATURE RANGE : -40 C TO 68 C  
 HUMIDITY : 10%~90%RH

**ELECTRICAL**

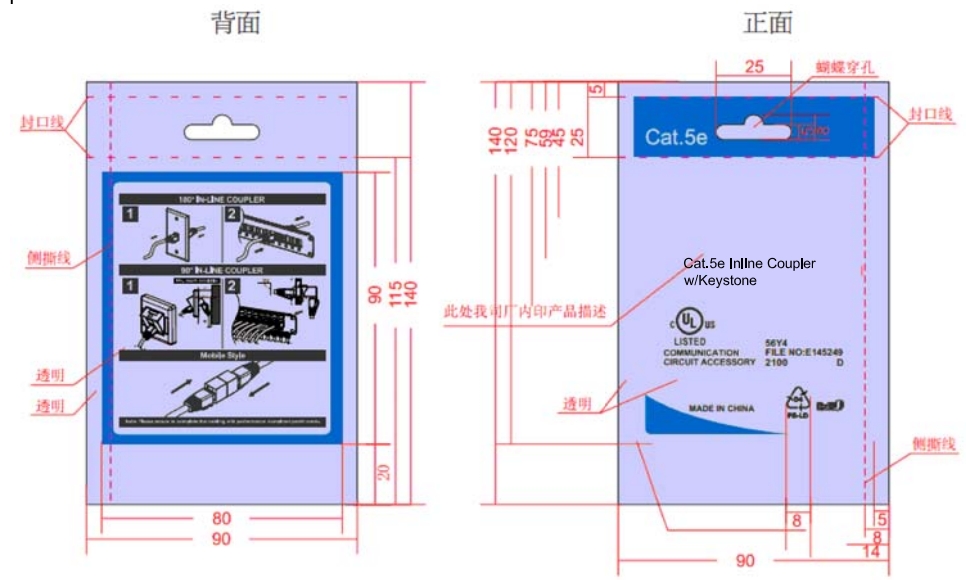
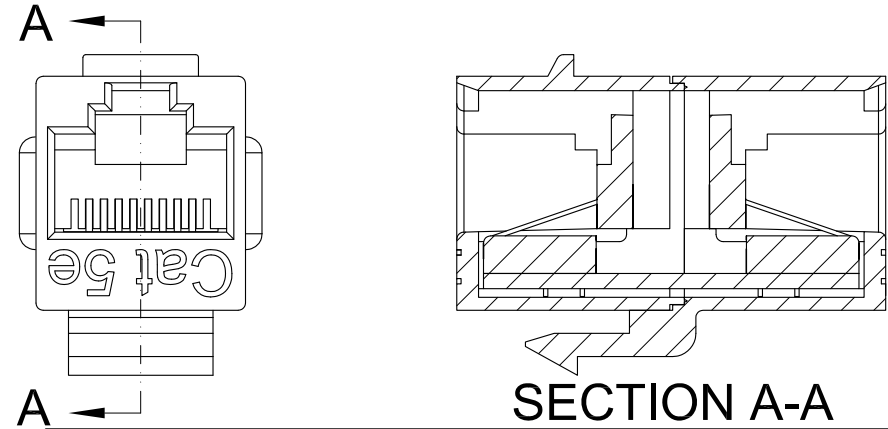
INSULATION RESISTANCE : 500 MΩ  
 DIELECTRIC WITHSTANDING VOLTAGE : 1000 V  
 DC CURRENT RATING : 1.5 Amps  
 DC RESISTANCE : 0.1Ω  
 CONTACT RESISTANCE : 20mΩ

**Cat 5e**

56Y4  
 E145249



REVISION INFORMATION			
Rev.	Rev. Date	Modified By	Brief Description



NO.	PART NAME	SPECIFICATION DESCRIPTION	QTY	UNIT
③				
②				
①				

DRAWN BY LJIANWEI	DATE: 2013/5/13	DESCRIPTION: Cat.5E In/In Coupler w/Keystone Latch XX
CHECKED BY	SHEET 1 of 1	ITEM NO. 102009BK / 102009BL / 102009RD / 102009GN / 102009YW / 102009WT
APPROVED BY	SCALE 2.5:1	REV. 00 UNIT: mm