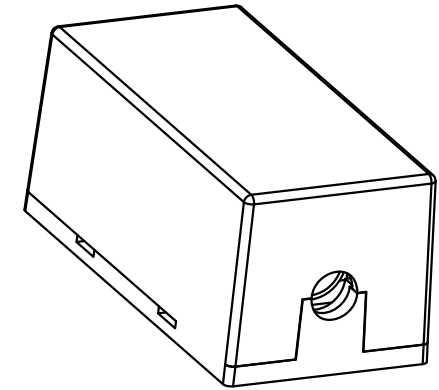
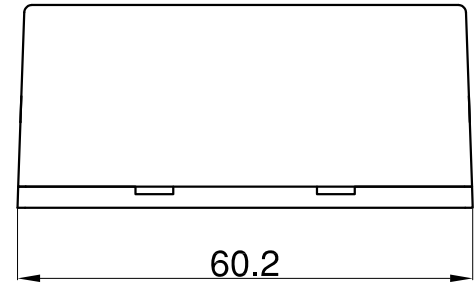
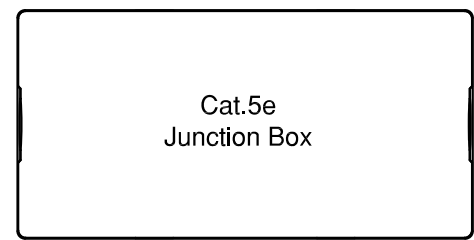
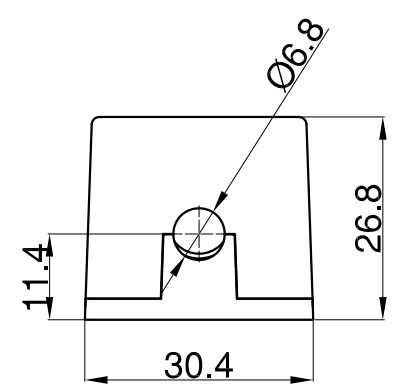
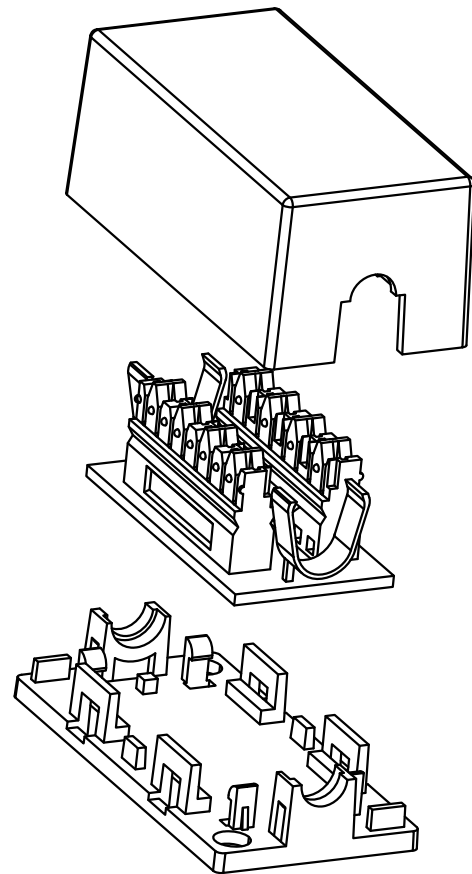
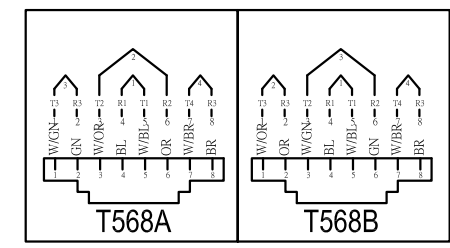


NOTE: ALL MATERIAL COMPLIANT ROHS STANDARD

REVISION INFORMATION			
Rev.	Rev. Date	Modified By	Brief Description
A/0	2016.12.09	Q xj	Yao



PIN/PAIR ASSIGNMENTS



SPECIFICAION

- 1 Connector: 110 Connector---Body: PC UL94V-0.
Contact: Phosphor Bronze with Tin plated.
2. P.C.Board: FR4,1.6mm Double side.
3. Operation Temperature : -10° C to 60° C.

DRAWN BY		DATE: 2016.12.09	DESCRIPTION: Cat.5e Unshielded Inline Coupler Junction Box	
CHECKED BY		SHEET 1 of 1	ITEM NO. 102006WT	
APPROVED BY		SCALE 1:1	REV. 00	UNIT: mm

NO.	PART NAME	SPECIFICATION DESCRIPTION	QTY	UNIT
①				
②				
③				