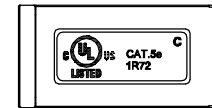
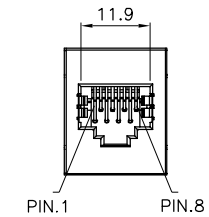
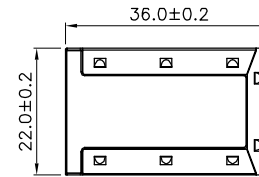
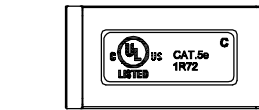
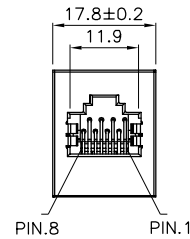
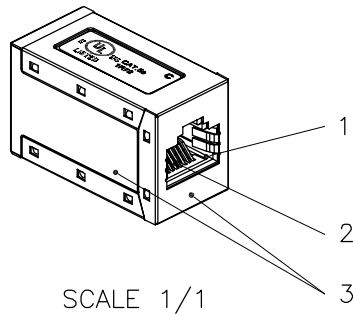


NOTE: ALL MATERIAL COMPLIANT ROHS STANDARD

REVISION INFORMATION			
Rev.	Rev. Date	Modified By	Brief Description



Specification :

Material :

1. RJ45 Jack :
 - 1-1. Housing : ABS, UL 94V-0, with Black color.
 - 1-2. Contact Bracket : PC, UL 94V-2, Transparent color.
2. RJ45 Jack Contact :
 - 2-1. Material : Phosphor Bronze with Nickel plated.
 - 2-2. Finish : 50 micro-inch Gold plated on Plug contact area.
3. RJ45 Jack Shield : Bronze with Nickel Plated.
4. PCB : FR4, UL 94V-0.

Performance :

- a. Insertion force : 30N max. (IEC 60603-7-5).
- b. Retention strength : 7.7 kg between Jack and Plug.
- c. Operating temperature : -10°C to 60°C. (ISO/IEC 11801, ANSI/TIA/EIA 568 B.2)
- d. Life(mating cycles) : 750 cycles min. (ISO/IEC 11801, IEC 60603-7-5)
- e. The Cat.5e transmission performance is in compliance with the ANSI/TIA/EIA 568 B.2 standard.



NO.	PART NAME	SPECIFICATION DESCRIPTION	QTY	UNIT
③				
②				
①				

DRAWN BY	DATE: 2012/08/25	DESCRIPTION: Cat.5e RJ45 Full Shielded Inline Coupler
CHECKED BY	SHEET 1 of 1	ITEM NO. 102003
APPROVED BY	SCALE 1:1	REV. 00
	UNIT: mm	