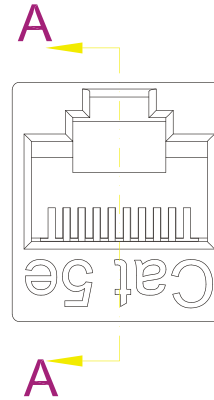
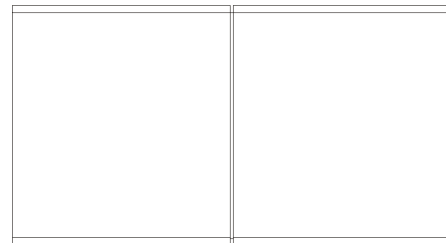
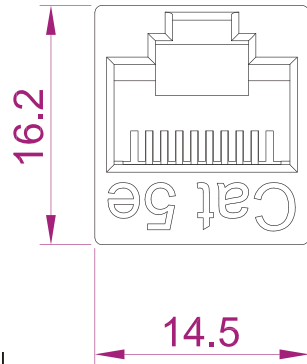
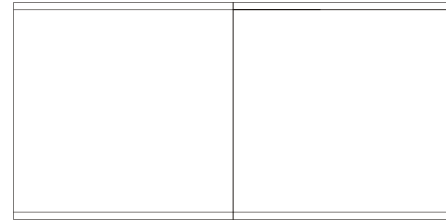
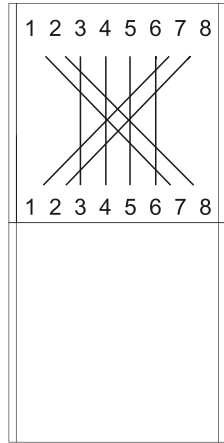
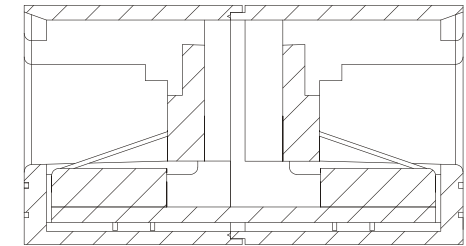


NOTE: ALL MATERIAL COMPLIANT ROHS STANDARD

REVISION INFORMATION			
Rev.	Rev. Date	Modified By	Brief Description



## SECTION A-A



# Cat 5e

56Y4  
E145249



COMMUNICATION  
CIRCUIT ACCESSORIES



### MATERIAL

COUPLER HOUSING : ABS high-impact UL94V-0 thermoplastic  
 SPRING WIRE : Phosphor Bronze 5210R temper wire, T=0.3mm, 50u" Gold over 100u" Nickel undercoat  
 CONTACT HOLDER : PBT high-impact UL94V-0 thermoplastic

### PHYSICAL CHARACTERISTICS

INSERTION LIFE : 750 MATING CYCLES WITH FCC COMPLIANT RJ-45 PLUG  
 CONTACT FORCE : 100 GRAMS WITH FCC COMPLIANT RJ-45 PLUG  
 PLUG RETENTION FORCE : 11 LBF MIN.  
 OPERATING TEMPERATURE RANGE : -10 C TO 60 C  
 STORAGE TEMPERATURE RANGE : -40 C TO 68 C  
 HUMIDITY : 10%~90%RH

### ELECTRICAL

INSULATION RESISTANCE : 500 MΩ  
 DIELECTRIC WITHSTANDING VOLTAGE : 1000 V  
 DC CURRENT RATING : 1.5 Amps  
 DC RESISTANCE : 0.1Ω  
 CONTACT RESISTANCE : 20mΩ

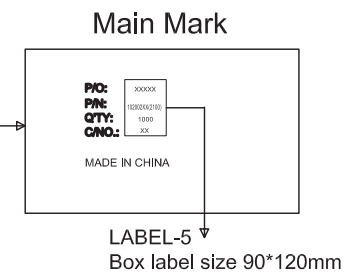
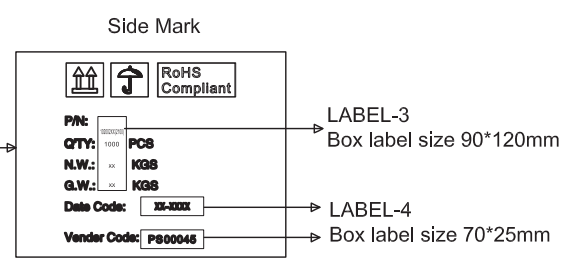
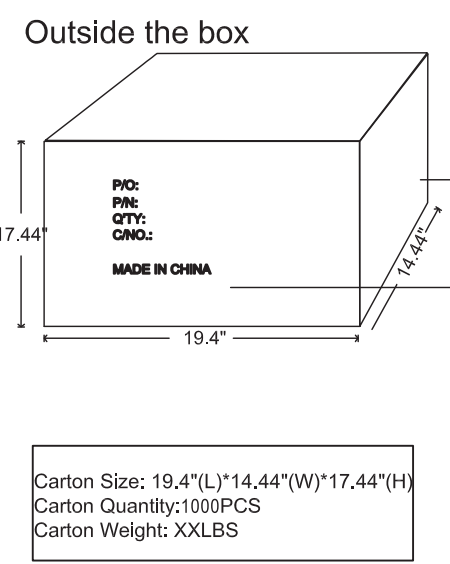
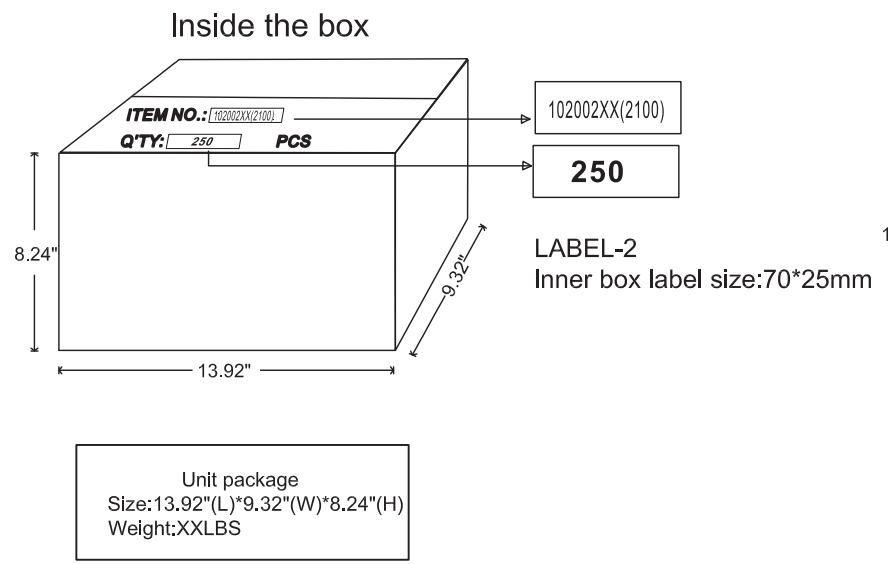
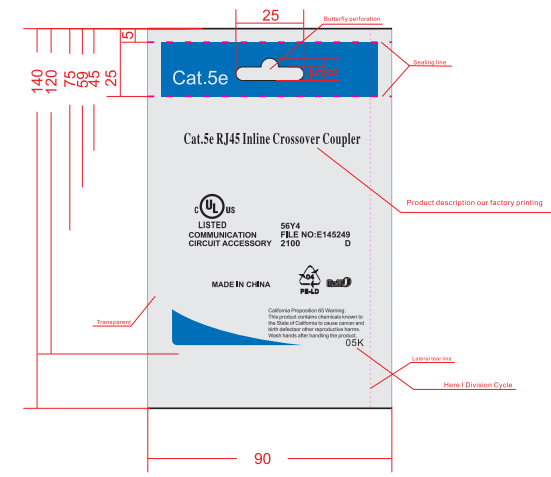
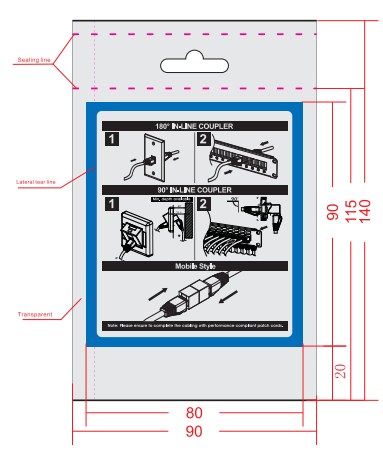
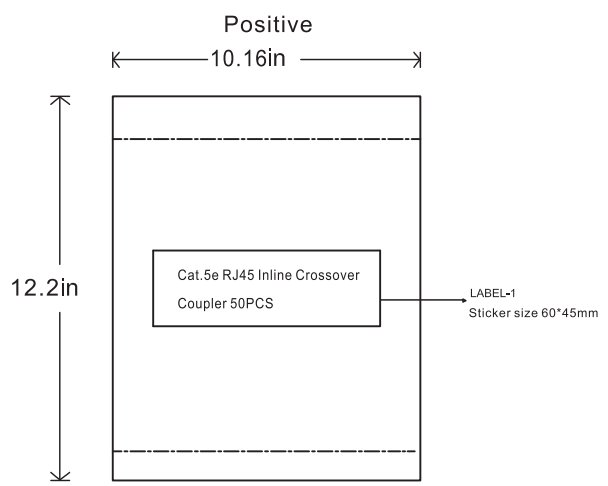
NO.	PART NAME	SPECIFICATION DESCRIPTION	QT'Y	UNIT
③				
②				
①				

Unless specified on the drawing, tolerances are per the follows:  
 .                   +1  
 .x                 +0.2  
 .xx               +0.05

DRAWN BY	DATE: 2018-3-30	DESCRIPTION: Cat.5e RJ45 Inline Crossover Coupler	
CHECKED BY	SHEET 1 of 1	ITEM NO. 102002XX	
APPROVED BY	SCALE 1:1	REV. 00	UNIT:mm

NOTE: ALL MATERIAL COMPLIANT ROHS STANDARD

REVISION INFORMATION			
Rev.	Rev. Date	Modified By	Brief Description



NO.	PART NAME	SPECIFICATION DESCRIPTION	Q'TY	UNIT
③				
②				
①				

Unless specified on the drawing, tolerances are per the follows:  
 .x +1  
 .x +0.2  
 .xx +0.05

DRAWN BY	DATE: 2018-3-30	DESCRIPTION: Cat.5e RJ45 Inline Crossover Coupler
CHECKED BY	SHEET 1 of 2	ITEM NO. 102002XX
APPROVED BY	SCALE 1: 1	REV. 00 UNIT: mm