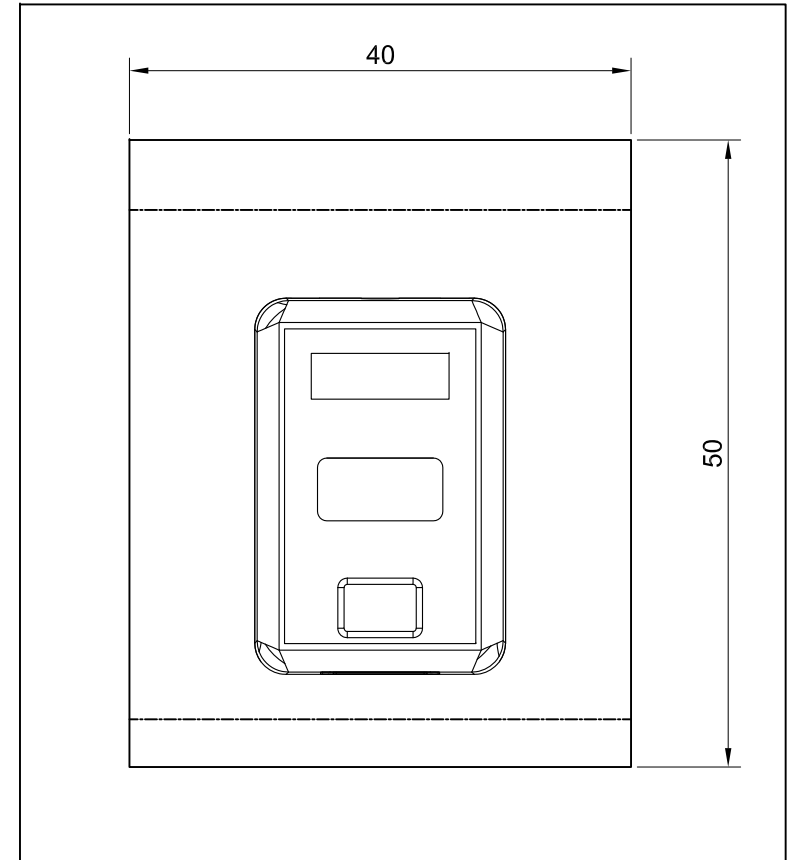
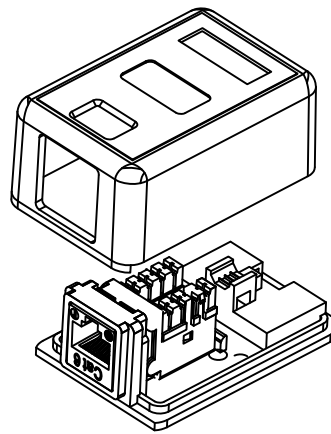
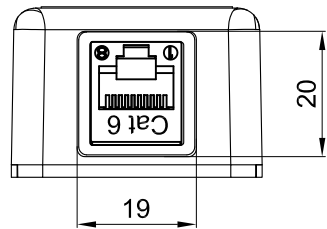
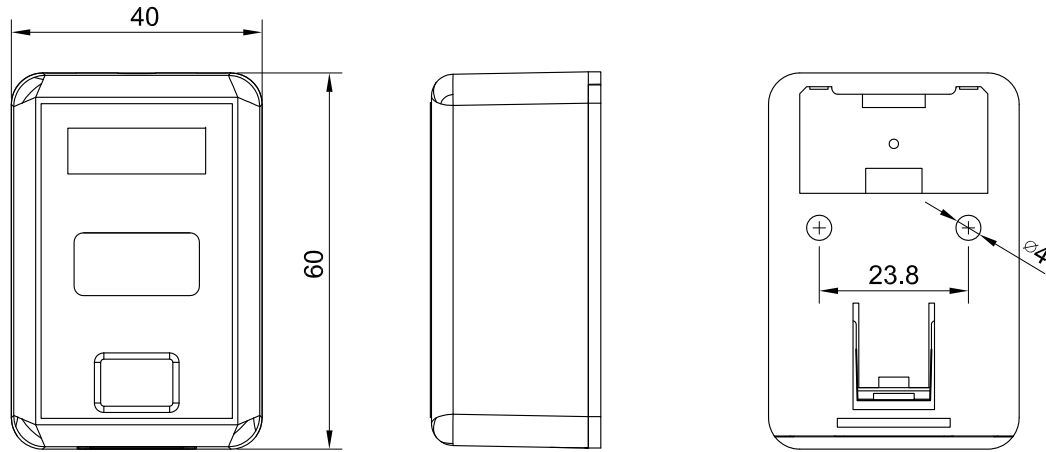


NOTE: ALL MATERIAL COMPLIANT ROHS STANDARD

REVISION INFORMATION			
Rev.	Rev. Date	Modified By	Brief Description



Physical Specification

Surface Mount Box : ABS UL94V-0

Jack Housing: ABS UL94V-0

Spring PIN: Phosphor Bronze C5210, t=0.3mm.

Plating 120u" Matte Tin over 60u" Nickel undercoat, besides Plating 50u" Gold over the plated surface on contact area.

PIN Holder: PBT UL94V-0.

PCB: FR-4

IDC Housing: PC UL94V-0

IDC Contact: Phosphor Bronze C5191, t=0.4mm,

200u" Matte Tin over 100u" soft Nickel undercoat

Insertion Life: 750 mating cycles with FCC compliant RJ-45 plug

Contact Force: 100 grams with FCC compliant RJ-45 plug

Plug Retention Force: 11 lbf min

Durability: 200 termination cycles

Contact Compatibility: Accommodates 22 to 26 AWG solid/24 AWG stranded

Operating Temperature Range: -10°C to 60°C

Storage Temperature Range: -40°C to 68°C

Humidity: 10%~90%RH

Electrical

Insulation Resistance: 500 MΩ.

Dielectric Withstanding Voltage: 1000 V AC.

DC Current Rating: 1.5 Amps .

DC Resistance: 0.1Ω.

Contact Resistance: 20 MΩ



Cat 6

56Y4
E145249



NO.	PART NAME	SPECIFICATION DESCRIPTION	QTY	UNIT
③	Double-side tap	34MM*55MM	1	PCS
②	Cable Tie	Nylon PA66	1	PCS
①	SCREW	3.5MM*19.7MM	2	PCS

DRAWN BY	WJH	DATE:	2015/05/08	DESCRIPTION:	Cat.6 industrial bulkhead coupler, w/dust cap
CHECKED BY		SHEET	1 of 1	ITEM NO.	101918WT
APPROVED BY		SCALE	1:1	REV.	00
		UNIT:	mm		