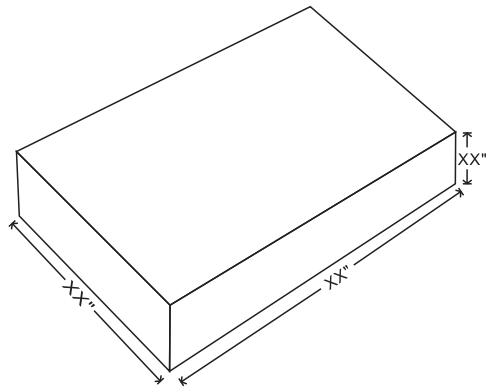


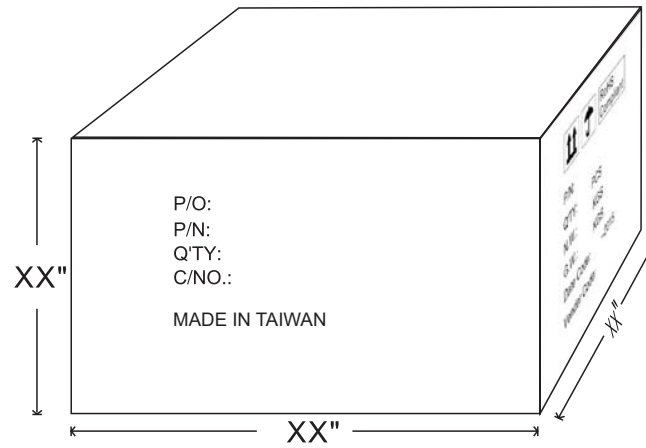
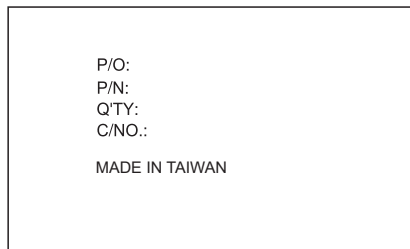
NOTE: CARTON MATERIAL MUST BE A=A



Unit package  
Size: 348\*233\*206MM

REVISION INFORMATION				
Rev.	Rev. Date	Modified By	Brief Description	
Inner Box Dimensions	Q'ty pre Inner Box	Q'ty pre Outer Box	Outer Box Dimensions	CUFT
34.8*23.3*20.6CM	200pcs	400pcs	48.5*36.1*43.6CM	1.5

Main Mark



Carton Size: 485\*361\*436MM  
Carton Quantity: 400PCS  
Carton Weight: 14.1Kg

Side Mark

**RoHS  
Compliant**

P/N:

Q'TY: PCS

N.W.: KGS

G.W.: KGS

Date Code:

Vender Code:

DRAWN BY	DATE: 2019/7/10	DESCRIPTION: Cat.6A STP 90 degree Keystone Jack		
CHECKED BY	SHEET 1 of 2	ITEM NO. 101724		
APPROVED BY	SCALE NONE	REV. 00	UNIT:mm	