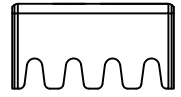
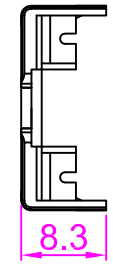
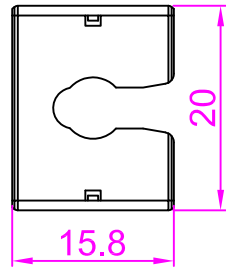
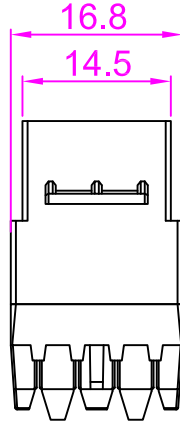
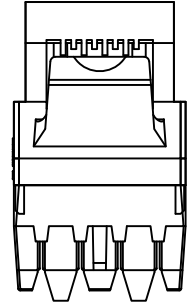
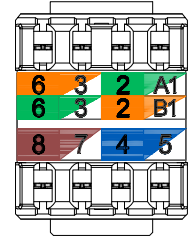
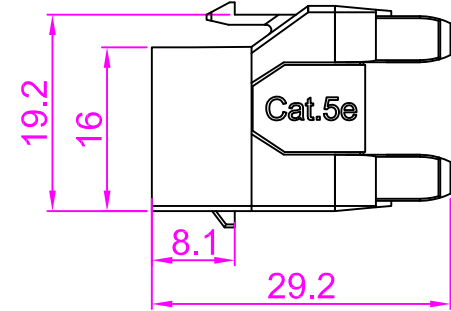
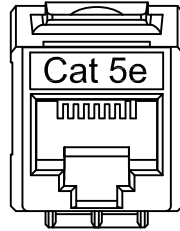
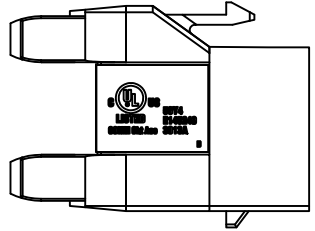


**NOTE: ALL MATERIAL COMPLIANT ROHS STANDARD**

REVISION INFORMATION			
Rev.	Rev. Date	Modified By	Brief Description



**IDC CAP**

Part Number	COLOUR	QTY	G.W(LBS)	G.W(KGS)	
1	101601BK	PANTONE 433C	1000	24.3	11
2	101601BL	PANTONE 3015C	1000	24.3	11
3	101601GN	PANTONE 7726C	1000	24.3	11
4	101601GY	PANTONE C001Gray4c	1000	24.3	11
5	101601IV	PANTONE 7501C	1000	24.3	11
6	101601OR	PANTONE 2023C	1000	24.3	11
7	101601RD	PANTONE 1925C	1000	24.3	11
8	101601WT	RAL 9016	1000	24.3	11
9	101601YW	PANTONE 1225C	1000	24.3	11

**MATERIAL**  
 KEYSTONE JACK HOUSING: PC HIGH-IMPACT UL94V-0 THERMOPLASTIC.  
 SPRING PIN: PHOSPHOR BRONZE C5210-EH, T=0.3mm.  
 PLATING: NICKEL UNDERCOAT,  
 BESIDES PLATING 50U" GOLD OVER THE PLATED SURFACE ON CONTACT AREA.  
 IDC HOUSING: PC HIGH-IMPACT UL94V-0 THERMOPLASTIC.  
 IDC CONTACT: PHOSPHOR BRONZE C5191R-H, T=0.4MM, PLATING 100U" SOFT NICKEL.  
 PCB: FR-4

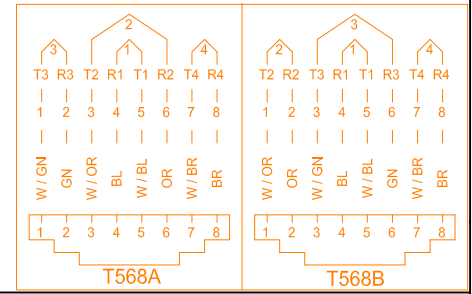
**PHYSICAL CHARACTERISTICS**  
 INSERTION LIFE: 750 MATING CYCLES WITH FCC COMPLIANT 8P PLUG.  
 CONTACT FORCE: 100 GRAMS WITH FCC COMPLIANT 8P PLUG.  
 PLUG RETENTION FORCE: 11 LBF MIN.  
 DURABILITY: 200 TERMINATION CYCLES.  
 CONTACT COMPATIBILITY: ACCOMMODATES 22 TO 24 AWG SOLID.  
 OPERATING TEMPERATURE RANGE: -10°C TO 60°C.  
 STORAGE TEMPERATURE RANGE: -40°C TO 68°C.  
 HUMIDITY: 10%~90% RH.

**ELECTRICAL**  
 INSULATION RESISTANCE: 500 M Ω.  
 DIELECTRIC WITHSTANDING VOLTAGE: 1000V AC.  
 DC CURRENT RATING: 1.5 Amps.  
 DC RESISTANCE: 0.1 Ω.  
 CONTACT RESISTANCE: 20mΩ.

ACCORDING TO ANSI/TIA-568-C.2  
 REQUIREMENTS  
 C5e CHANNEL COMPLIANT

**Cat 5e**

56Y4  
 E145249



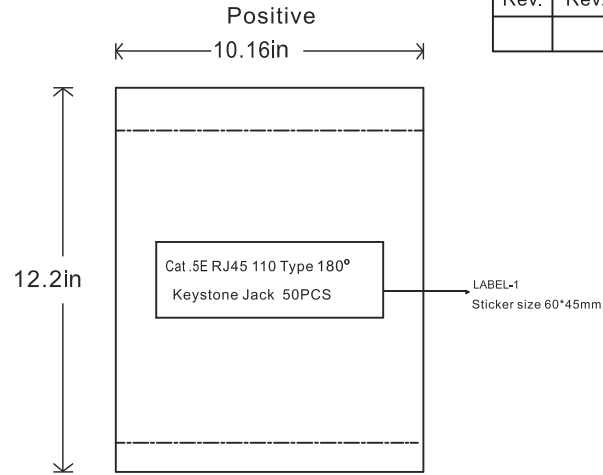
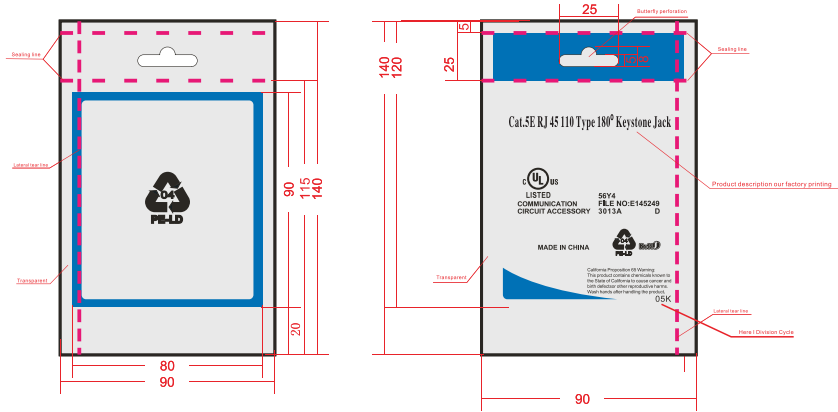
NO.	PART NAME	SPECIFICATION DESCRIPTION	QTY	UNIT
③				
②				
①	IDC Cap	20*15.8*8.3mm	1	PCS

Unless specified on the drawing, tolerances are per the follows:  
 .x +1  
 .xx +0.2  
 .xxx +0.05

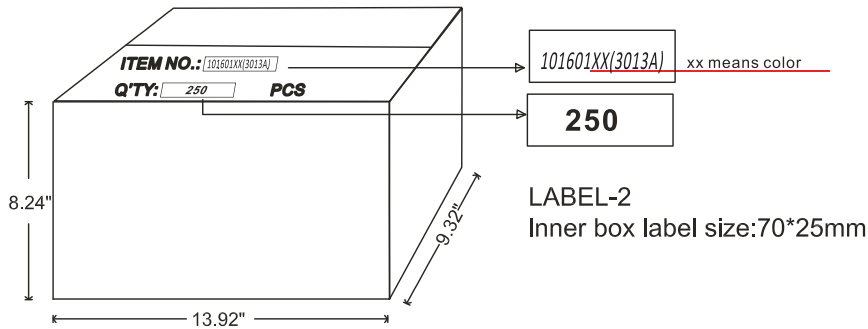
<b>DRAWN BY</b> WJH	<b>DATE:</b> 2018-5-3	<b>DESCRIPTION:</b> Cat.5E RJ45 110 Type 180° Keystone Jack
<b>CHECKED BY</b>	SHEET 1 of 1	<b>ITEM NO.</b> 101601XX <small>xx means color</small>
<b>APPROVED BY</b>	SCALE 4:3	<b>REV. 00</b> <b>UNIT:</b> mm

NOTE: ALL MATERIAL COMPLIANT ROHS STANDARD

REVISION INFORMATION			
Rev.	Rev. Date	Modified By	Brief Description

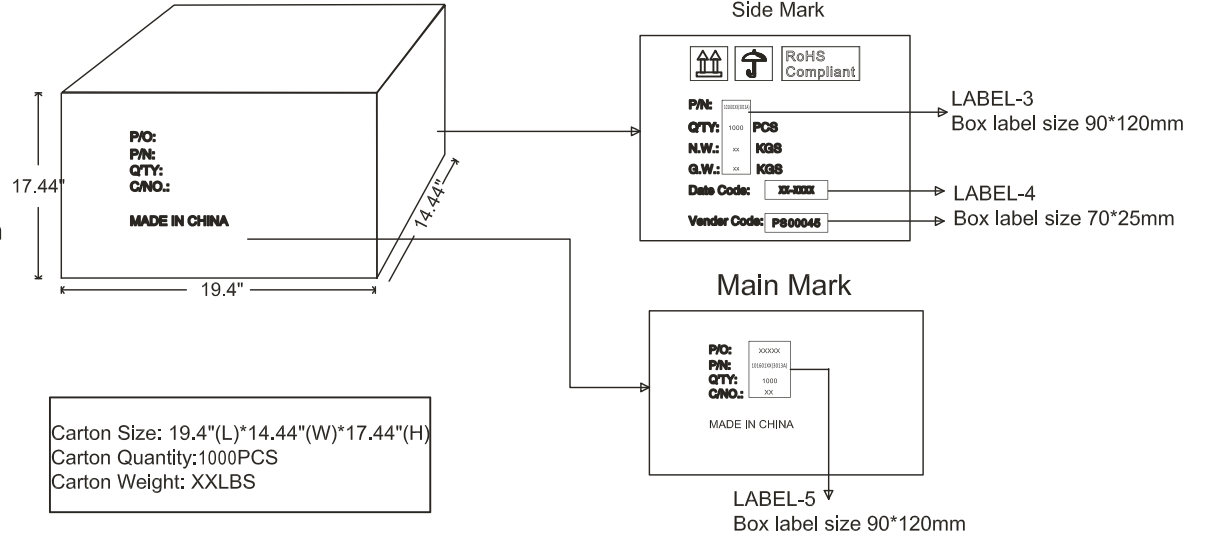


Inside the box



Unit package  
Size: 13.92"(L)\*9.32"(W)\*8.24"(H)  
Weight: XXLBS

Outside the box



Carton Size: 19.4"(L)\*14.44"(W)\*17.44"(H)  
Carton Quantity: 1000PCS  
Carton Weight: XXLBS



NO.	PART NAME	SPECIFICATION DESCRIPTION	QTY	UNIT
③				
②				
①				

Unless specified on the drawing, tolerances are per the follows:  
 .x +1  
 .x +0.2  
 .xx +0.05

DRAWN BY	DATE: 2018-5-3	DESCRIPTION: Cat.5E RJ45 110 Type 180° Keystone Jack
CHECKED BY	SHEET 1 of 2	ITEM NO. 101601XX <small>xx means color</small>
APPROVED BY	SCALE 1: 1	REV. 00 UNIT: mm