

NOTE: ALL MATERIAL COMPLIANT ROHS STANDARD

| REV | DATE | MODIFICATION | DRAWN |
|-----|------|--------------|-------|
| | | | |

SPECIFICATIONS

1.ELECTRICAL:

UL APPLICATIONS: 250 VOLTS AC MAX., AT 2 AMPS.

DIELECTRIC WITHSTANDING VOLTAGE : 500 VOLTS AC.

INSULATION RESISTANCE: 100 M Ω .

TERMINATION: RESISTANCE 20m Ω MAX AFTER

ENVIRONMENTAL TESTING.

2.MECHANICAL:

CABLE-TO-PLUG TENSILE STRENGTH : 20POUND MIN.

DURABILITY : 200 MATING CYCLES.

3.MATERIAL & FINISH:

HOUSING: POLYCARBONATE, UL94V-0 OR UL94V-2.

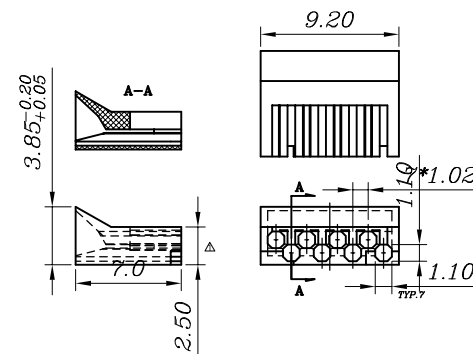
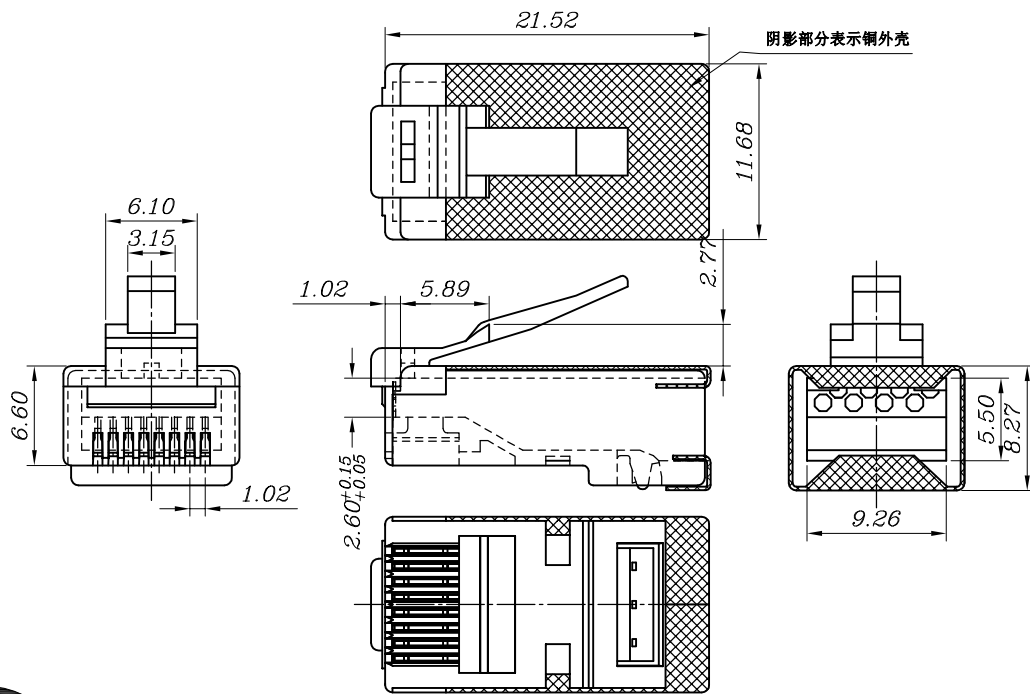
COLOR : TRANSPARENT OR OTHER COLOR ARE AVAILABLE.

CONTACT BLADE: COPPER ALLOY.

CONDUCTOR : STRANDED & SOLID WIRE , 24AWG, 26 AWG.

(It can be used for the wire OD fromØ 0.96-Ø1.02)

GOLD PLATING: 3u"-50u", ARE AVAILABLE.



| BLADE: | E | Y | Z | A | AL | ZL | AB | | |
|--------------|------|-----|-----|------|------|------|------------|-------|------|
| Drawing | | | | | | | | | |
| Mark | | | | | ✓ | | ✓ | | |
| GOLD PLATING | 3Mu" | 3u" | 6u" | 15u" | 30u" | 50u" | CABLE TYPE | ROUND | FLAT |
| Mark | | | | | | ✓ | Mark | ✓ | |



| | | | |
|--------------------|----------------------------|-----------------------------------------------------------------------------------------------------|-----------------|
| DRAWN BY | DATE: 2014/04/24 | DESCRIPTION: P88R5AB50V2SIT-RJ45 Cat.6 Shielded Plug Stranded and Solid 50 Micron w/Insertor | |
| CHECKED BY | SHEET 1 of 1 | ITEM NO. 101229 | |
| APPROVED BY | SCALE 1:1 | REV. 00 | UNIT: mm |

ST-DR-009A

