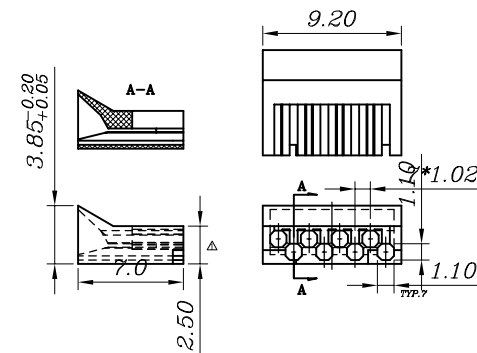
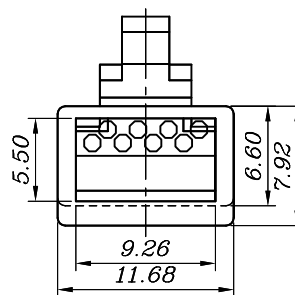
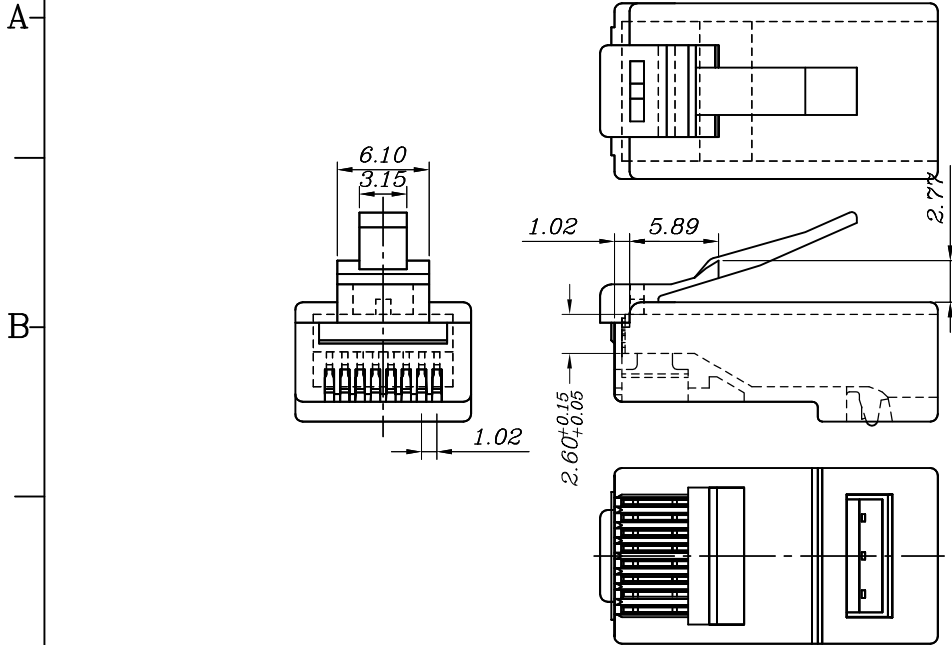


NOTE: ALL MATERIAL COMPLIANT ROHS STANDARD

REV	DATE	MODIFICATION	DRAWN

SPECIFICATIONS

- ELECTRICAL:
 - UL APPLICATIONS: 250 VOLTS AC MAX., AT 2 AMPS.
 - DIELECTRIC WITHSTANDING VOLTAGE : 1000 VOLTS AC.
 - INSULATION RESISTANCE: 500 M Ω .
 - TERMINATION: RESISTANCE 20m Ω MAX AFTER ENVIRONMENTAL TESTING.
- MECHANICAL:
 - CABLE-TO-PLUG TENSILE STRENGTH : 20POUND MIN.
 - DURABILITY : 1200 MATING CYCLES.
- MATERIAL & FINISH:
 - HOUSING: POLYCARBONATE, UL94V-0 OR UL94V-2.
 - COLOR : TRANSPARENT OR OTHER COLOR ARE AVAILABLE.
 - CONTACT BLADE: COPPER ALLOY.
 - CONDUCTOR : STRANDED & SOLID WIRE , 24AWG, 26 AWG.
 - (It can be used for the wire OD from \emptyset 0.96- \emptyset 1.02)
 - GOLD PLATING: 3u"-50u", ARE AVAILABLE.



BLADE:	E	EB	Y	YB	Z	A	AE	AB	EC	AL	ZL	YBL
Drawing												
Mark								✓		✓		
GOLD PLATING	3Mu"	3u"	6u"	15u"	30u"	50u"	CABLE TYPE	ROUND	FLAT			
Mark						✓	Mark	✓				

DRAWN BY	DATE: 2017/12/27	DESCRIPTION: P88RH5AB50V2IT-RJ45 Cat.6 Plug Stranded and Solid 50 Micron 2 Prong w/Insertor	
CHECKED BY	SHEET 1 of 1	ITEM NO. 101228	
APPROVED BY	SCALE 1:1	REV. 00	UNIT: mm

ST-DR-009A

