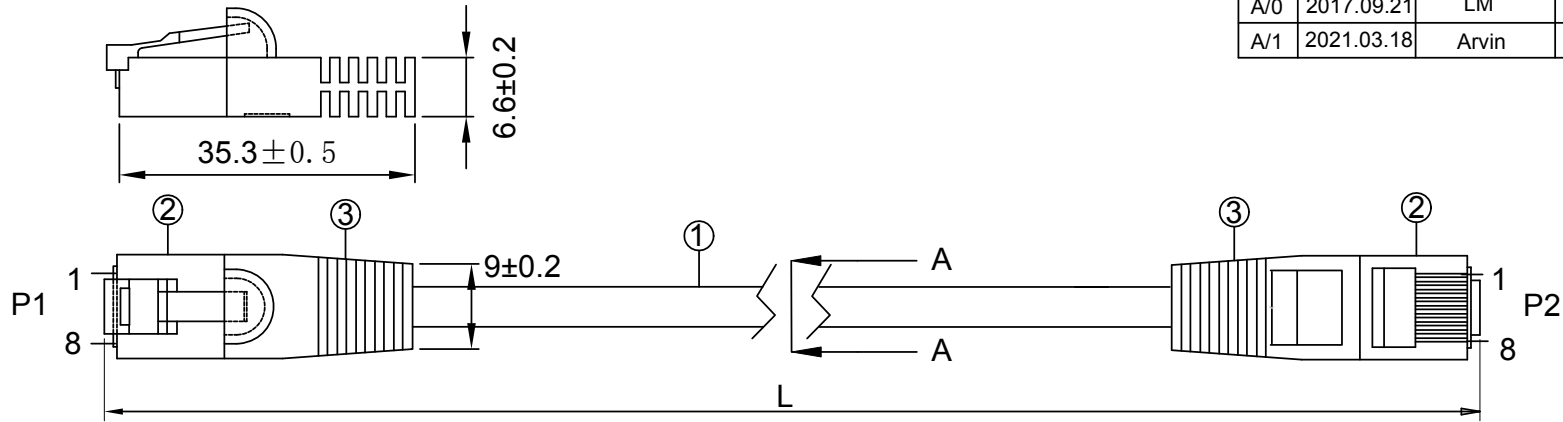


NOTE: ALL MATERIAL COMPLIANT ROHS STANDARD

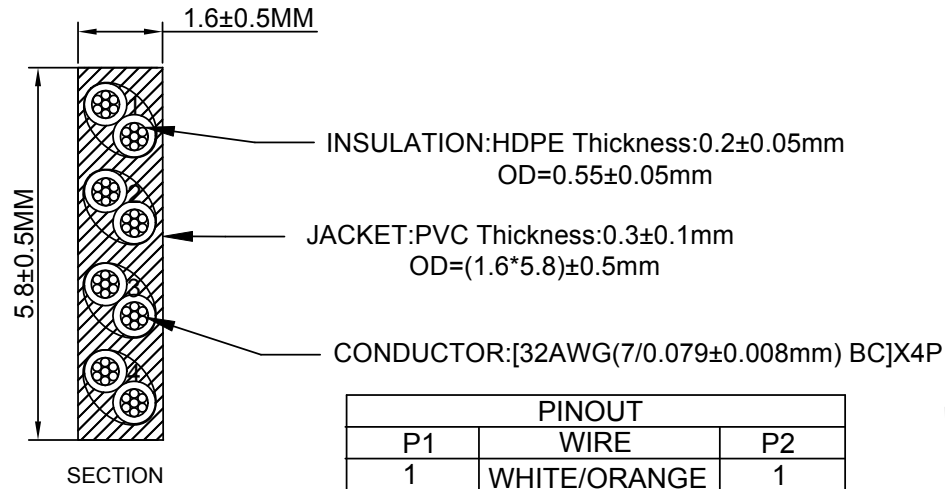
REVISION INFORMATION			
Rev.	Rev. Date	Modified By	Brief Description
A/0	2017.09.21	LM	NEW
A/1	2021.03.18	Arvin	Add "Plug Size" "Wire printing" "Operating temperature"



INK MARKING<LP566>: CAT.6 FLAT CABLE

Operation Temperature:-20°C~+60°C
conductor resistance:566 \downarrow (Ω /Km) at 20°C

Jacket Color
BK012



orange 1	green 2
white/orange	white/green
blue 3	brown 4
white/blue	white/brown

PINOUT		
P1	WIRE	P2
1	WHITE/ORANGE	1
2	ORANGE	2
3	WHITE/GREEN	3
6	GREEN	6
5	WHITE/BLUE	5
4	BLUE	4
7	WHITE/BROWN	7
8	BROWN	8

L(ft)	T(inch)	T(%)	L(ft)	T(inch)	T(%)
0.5	± 0.6	10%	4	± 1.2	2.5%
1	± 1.2	10%	5	± 1.2	2%
1.5	± 1.2	6.67%	6	± 1.2	1.67%
2	± 1.2	5%	7	± 2	2.38%
3	± 1.2	3.33%			

BESTLINK
NETWORKARE

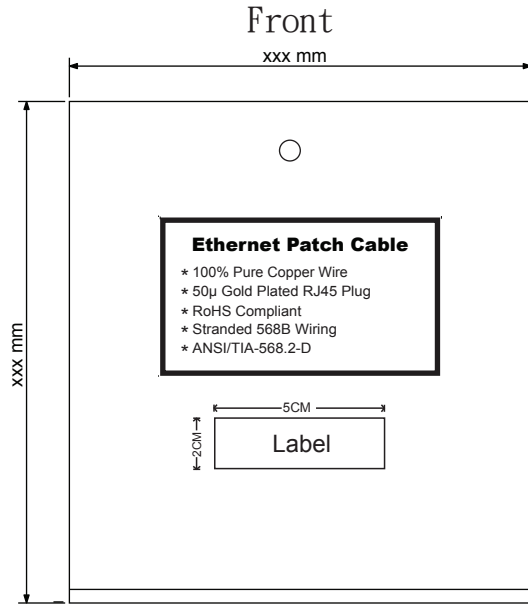
DRAWN BY Arvin	DATE: 2021/03/18	DESCRIPTION: FLAT PATCH C6 UTP 32AWG 4P
CHECKED BY YB	SHEET 1 of 1	ITEM NO. 10073XX
APPROVED BY CQ	SCALE 1:1	REV. 01 UNIT:mm

③	MOLD	PVC YU-21	A/R	Kg
②	PLUG	8P8C 50U RJ45	2	PCS
①	CABLE	FLAT PATCH CAT.6 UTP PVC 32AWG*4P BC	A/R	M
NO.	PART NAME	SPECIFICATION DESCRIPTION	QT'Y	UNIT

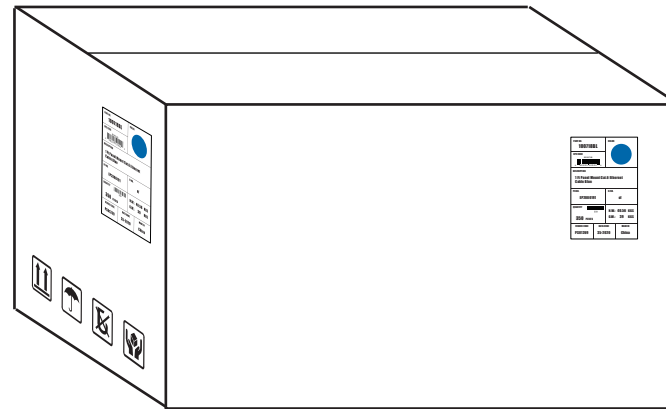
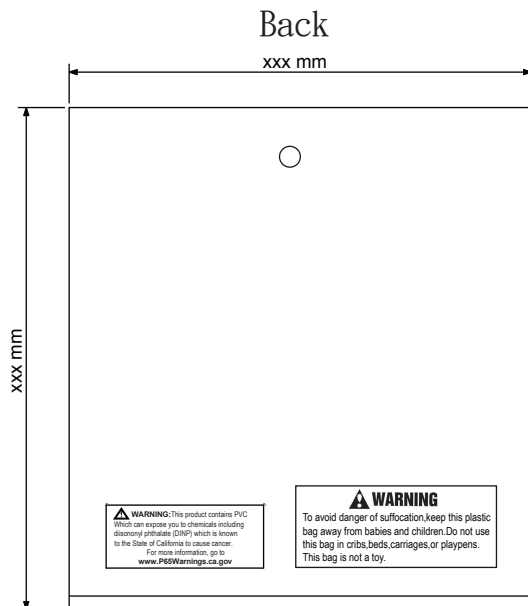
NOTE: CARTON MATERIAL MUST BE A=A

REVISION INFORMATION

Rev.	Rev. Date	Modified By	Brief Description



PE BAG SIZE(INCH)	PART NO.	length/FT	CARION SIZE(INCH)	Q'TY	G.W(LBS)
4.72x6.69	100731	0.5	15.75x15.75x5.91	400	10.79
4.72x6.69	100732	1	15.75x15.75x7.87	600	18.74
4.72x6.69	100733	1.5	15.75x15.75x7.87	600	21.93
4.72x6.69	100734	2	15.75x15.75x9.06	600	24.82
4.72x6.69	100735	3	15.75x15.75x7.87	350	18.51
4.72x6.69	100736	4	15.75x15.75x7.87	300	18.9
4.72x6.69	100737	5	15.75x15.75x7.87	300	21.55
4.72x6.69	100738	6	15.75x15.75x7.87	250	20.61
4.72x6.69	100739	7	15.75x15.75x7.87	250	22.92
4.72x6.69	100740	10	15.75x15.75x7.87	200	24.25
4.72x6.69	100741	15	15.75x15.75x5.91	150	25.37
6.89x7.48	100742	20	15.75x15.75x5.91	100	22.38
6.89x7.48	100743	25	15.75x15.75x5.91	90	24.42
6.89x7.48	100744	35	15.75x15.75x5.91	70	25.76
6.89x7.48	100745	45	15.75x15.75x9.06	60	27.54



DRAWN BY :FP	DATE: 2021.03.24	DESCRIPTION: FLAT PATCH C6 UTP 32AWG Molding
CHECKED BY :ZL	SHEET 1of2	ITEM NO.
APPROVED BY	SCALE 1: 1	REV. 00
	UNIT:mm	