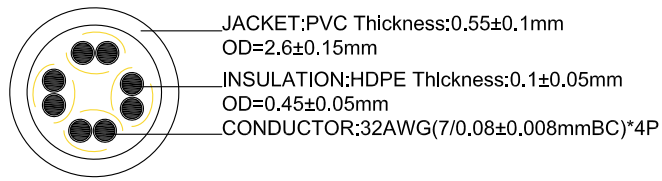
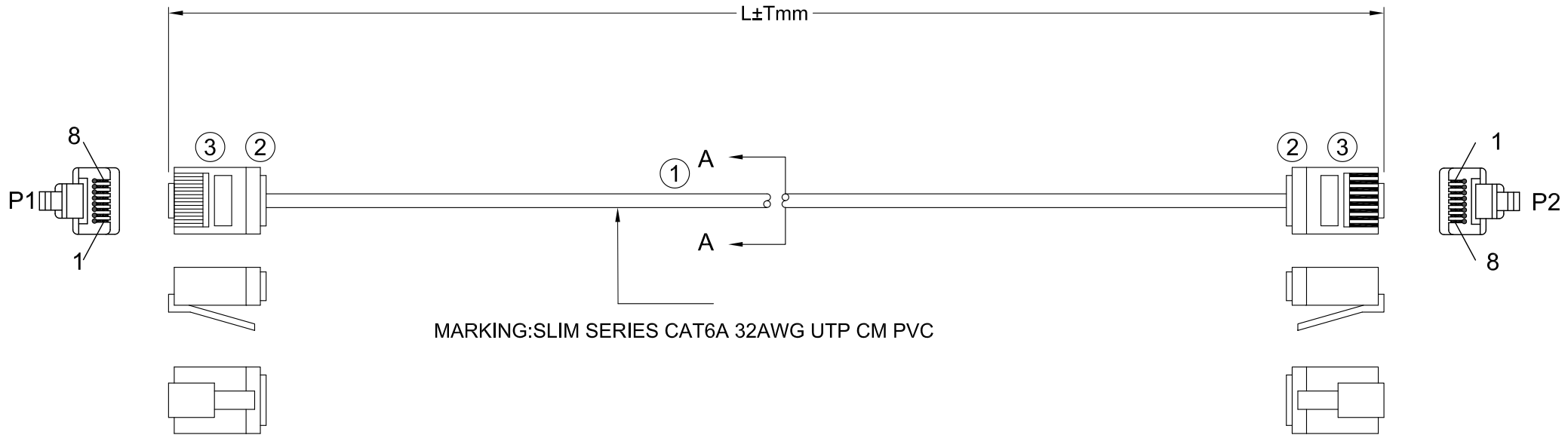


NOTE: ALL MATERIAL COMPLIANT ROHS STANDARD

REVISION INFORMATION			
Rec.	Rec. Date	Modified By	Brief Description



SEC:A-A

orange 1 white/orange	green 2 white/orange
blue 3 white/blue	brown 4 white/brown

PINOUT		
P1	WIRE	P2
1	WHITE/ORANGE	1
2	ORANGE	2
3	WHITE/GREEN	3
6	GREEN	6
5	WHITE/BLUE	5
4	BLUE	4
7	WHITE/BROWN	7
8	BROWN	8

L(ft)	T(inch)	T(%)
1	±1.2	10%
1.5	±1.2	6.6%
2	±1.2	5%
3	±1.2	3.33%
4	±1.2	2.5%
5	±1.2	2%
6	±1.2	1.67%
7	±2	2.38%
10	±2	1.67%

DRAWN BY LY	DATE: 2019/07/10	DESCRIPTION: UTP Cat 6A PATCH CORD
CHECKED BY MTC	SHEET 1 of 1	ITEM NO. 90612081
APPROVED BY	SCALE 1:1	REC. 00 UNIT: mm

NO.	PART NAME	SPECIFICATION DESCRIPTION	QT'Y	UNIT
③	RJ45 PLUG	8P8C 50U" GOLD PLATED TWO-PIECE PLUG.		
②	MOLDED	PVC SHORT MOLDED BOOT		
①	CABLE	CAT6A UTP 4P/32AWG(7/0.08±0.008MM BC) OD=2.6±0.15mm		