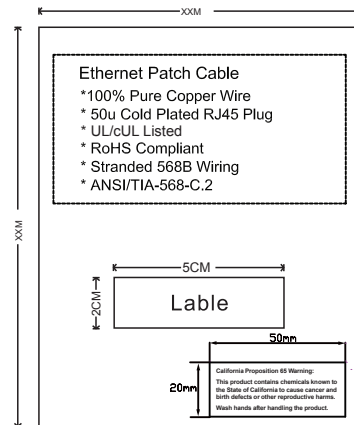


NOTE: CARTON MATERIAL MUST BE A=A

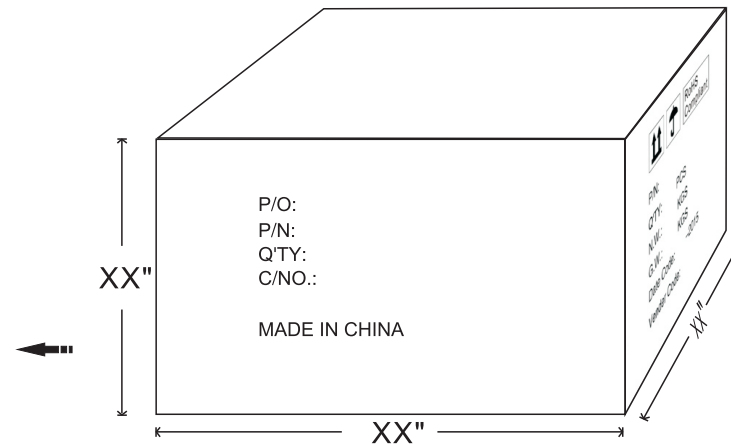
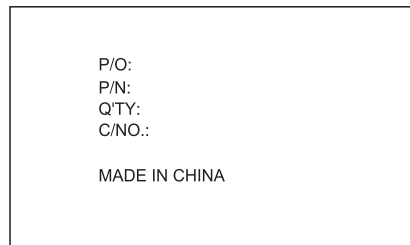
REVISION INFORMATION

Rev.	Rev. Date	Modified By	Brief Description

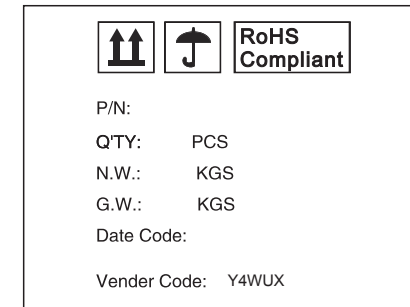


PE BAG SIZE(INCH)	PART NO.	length/FT	CARION SIZE(INCH)	Q'TY	G.W(LBS)
6.89x7.48	100180	0.5	15.75x15.75x6.69	700	24.86
6.89x7.48	100181	1	15.75x15.75x6.69	600	23.76
6.89x7.48	100182	1.5	15.75x15.75x9.06	500	22.22
6.89x7.48	100183	2	15.75x15.75x9.06	500	23.76
6.89x7.48	100184	3	15.75x15.75x7.87	400	22.22
6.89x7.48	100185	4	15.75x15.75x7.87	350	22.22
6.89x7.48	100186	5	15.75x15.75x7.87	300	21.34
6.89x7.48	100187	6	15.75x15.75x9.06	250	19.8
6.89x7.48	100188	7	15.75x15.75x9.06	250	21.78
6.89x7.48	100189	8	15.75x15.75x9.06	220	20.9
6.89x7.48	100190	9	15.75x15.75x9.06	200	20.46
6.89x7.48	100191	10	15.75x15.75x9.06	200	21.78
6.89x7.48	100192	12	15.75x15.75x9.06	180	22.44
6.89x7.48	100193	15	15.75x15.75x9.06	150	22.22

Main Mark



Side Mark



DRAWN BY :OP	DATE: 2017.09.21	DESCRIPTION: C6 SLIM UTP 30AWG PVC Molding
CHECKED BY :ZL	SHEET 1 of 2	ITEM NO. 10018XXX 10019XXX
APPROVED BY	SCALE 1:1	REV. 00 UNIT:mm