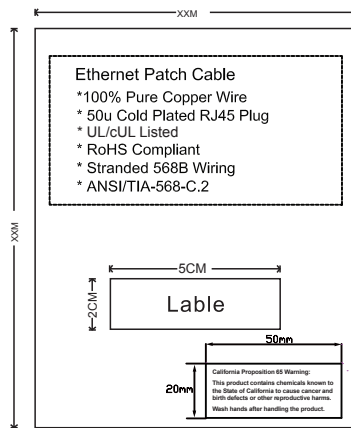


NOTE: CARTON MATERIAL MUST BE A=A

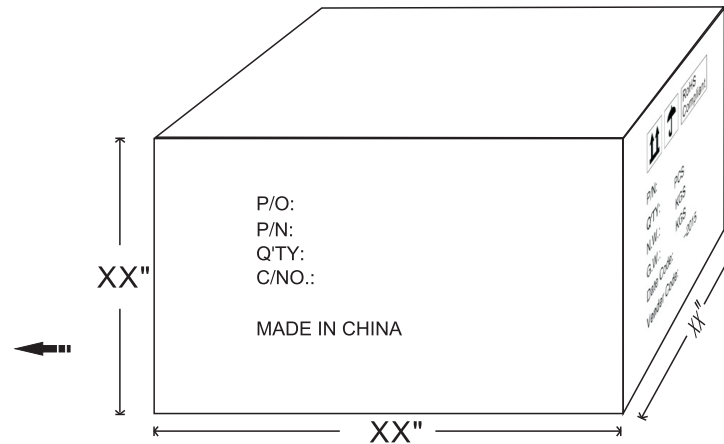
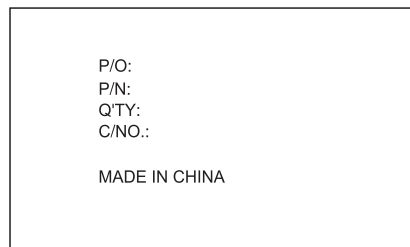
REVISION INFORMATION

Rev.	Rev. Date	Modified By	Brief Description

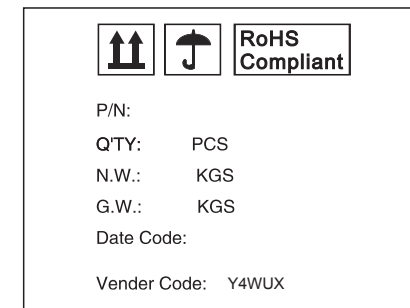


PE BAG SIZE(INCH)	PART NO.	length/FT	CARION SIZE(INCH)	Q'TY	G.W(LBS)
6.89x7.48	100851	1	15.75x15.75x5.91	200	14.52
6.89x7.48	100852	2	15.75x15.75x6.69	150	14.96
6.89x7.48	100853	3	15.75x15.75x7.87	150	18.92
6.89x7.48	100854	4	15.75x15.75x7.87	120	18.7
6.89x7.48	100855	5	15.75x15.75x7.87	110	20.02
9.25x10.63	100861	25	15.75x15.75x7.87	35	25.74
9.25x10.63	100861	25	15.75x15.75x7.87	35	25.74
9.25x10.63	100861	25	15.75x15.75x7.87	35	25.74
9.25x10.63	100862	35	15.75x15.75x9.06	35	34.76
9.25x10.63	100862	35	15.75x15.75x9.06	35	34.76
9.25x10.63	100862	35	15.75x15.75x9.06	35	34.76
9.25x11.81	100863	50	15.75x15.75x7.87	20	28.16
9.25x11.81	100864	75	15.75x15.75x9.84	20	41.14
9.84x14.96	100865	100	16.54x16.54x10.24	20	54.34

Main Mark



Side Mark



DRAWN BY :FP	DATE: 2017.09.21	DESCRIPTION: C6A SSTP 26AWG PVC Molding
CHECKED BY :ZL	SHEET 1 of 2	ITEM NO.
APPROVED BY	SCALE 1: 1	REV. 00

