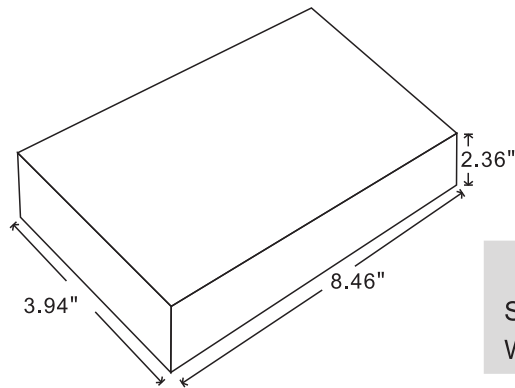


NOTE: CARTON MATERIAL MUST BE A=A

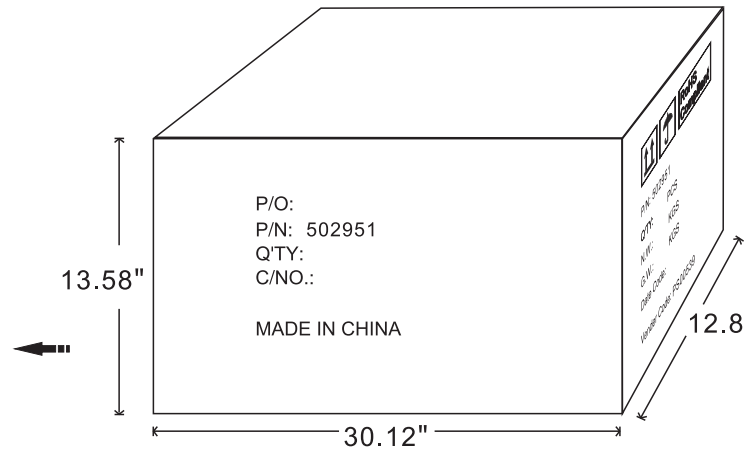
REVISION INFORMATION

Rev.	Rev. Date	Modified By	Brief Description





Unit package  
 Size: 8.46"(L)\* 3.94"(W)\* 2.36"(H)  
 Weight: 0.44 LBS

P/O:  
 P/N: 502951  
 Q'TY:  
 C/NO.:  
  
 MADE IN CHINA



Carton Size: 30.12"(L)\* 12.8"(W)\* 13.58"(H)  
 Carton Quantity: 50 pcs  
 Carton Weight: 28.6 LBS





**RoHS  
Compliant**

P/N: 502951  
 Q'TY: PCS  
 N.W.: KGS  
 G.W.: KGS  
 Date Code:  
 Vender Code: PS00539



DRAWN BY	DATE: 2017/1/6	DESCRIPTION: BROADCASTING AND RECORDING MICROPHONE MDS-5
CHECKED BY	SHEET 1 of 2	ITEM NO. 502951
APPROVED BY	SCALE 1: 1	REV. 00

UNIT:mm
