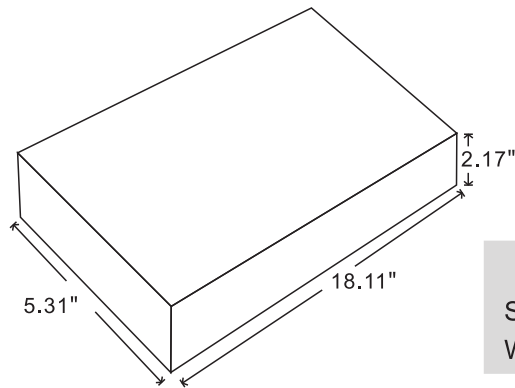


NOTE: CARTON MATERIAL MUST BE A=A

REVISION INFORMATION

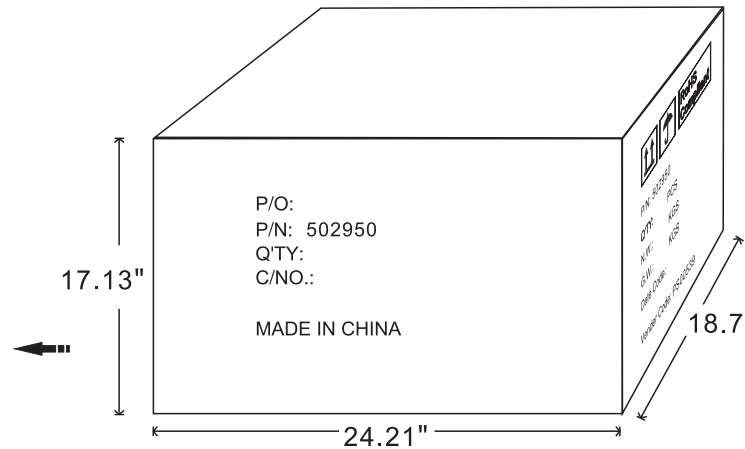
Rev.	Rev. Date	Modified By	Brief Description



Unit package
 Size: 18.11"(L)*5.31"(W)*2.17"(H)
 Weight: 1.72 LBS

P/O:
 P/N: 502950
 Q'TY:
 C/NO.:

 MADE IN CHINA



Carton Size: 24.21"(L)*18.7"(W)*17.13"(H)
 Carton Quantity: 30 pcs
 Carton Weight: 66 LBS

**RoHS
Compliant**

P/N: 502950
 Q'TY: PCS
 N.W.: KGS
 G.W.: KGS
 Date Code:
 Vender Code: PS00539

DRAWN BY	DATE: 2017/1/6	DESCRIPTION: RECORDING MICROPHONE MDS-28
CHECKED BY	SHEET 1 of 2	ITEM NO. 502950
APPROVED BY	SCALE 1: 1	REV. 00
		UNIT: mm