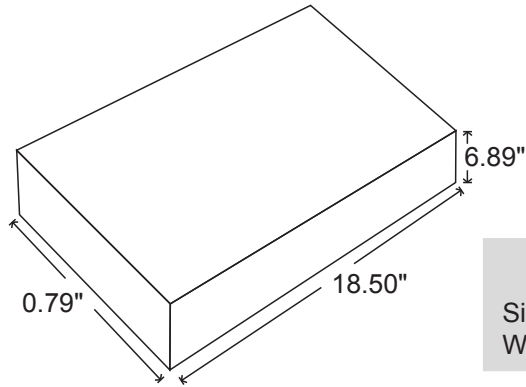


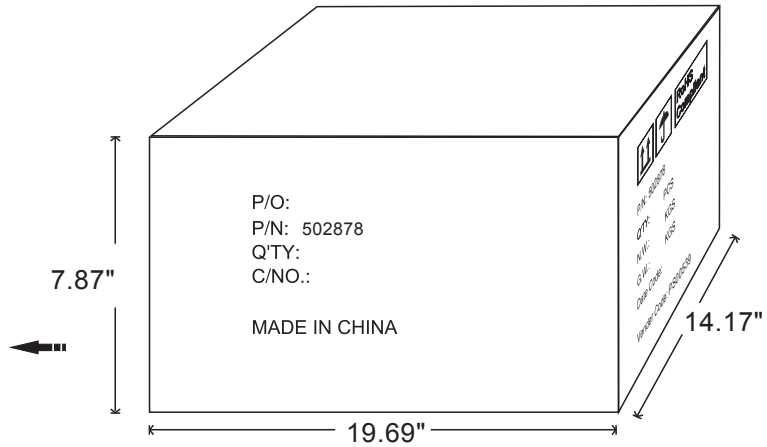
NOTE: CARTON MATERIAL MUST BE A=A

REVISION INFORMATION			
Rev.	Rev. Date	Modified By	Brief Description



Unit package  
 Size: 18.50"(L)\*6.89"(W)\*0.79"(H)  
 Weight: 2.266LBS

P/O:  
 P/N: 502878  
 Q'TY:  
 C/NO.:  
  
 MADE IN CHINA

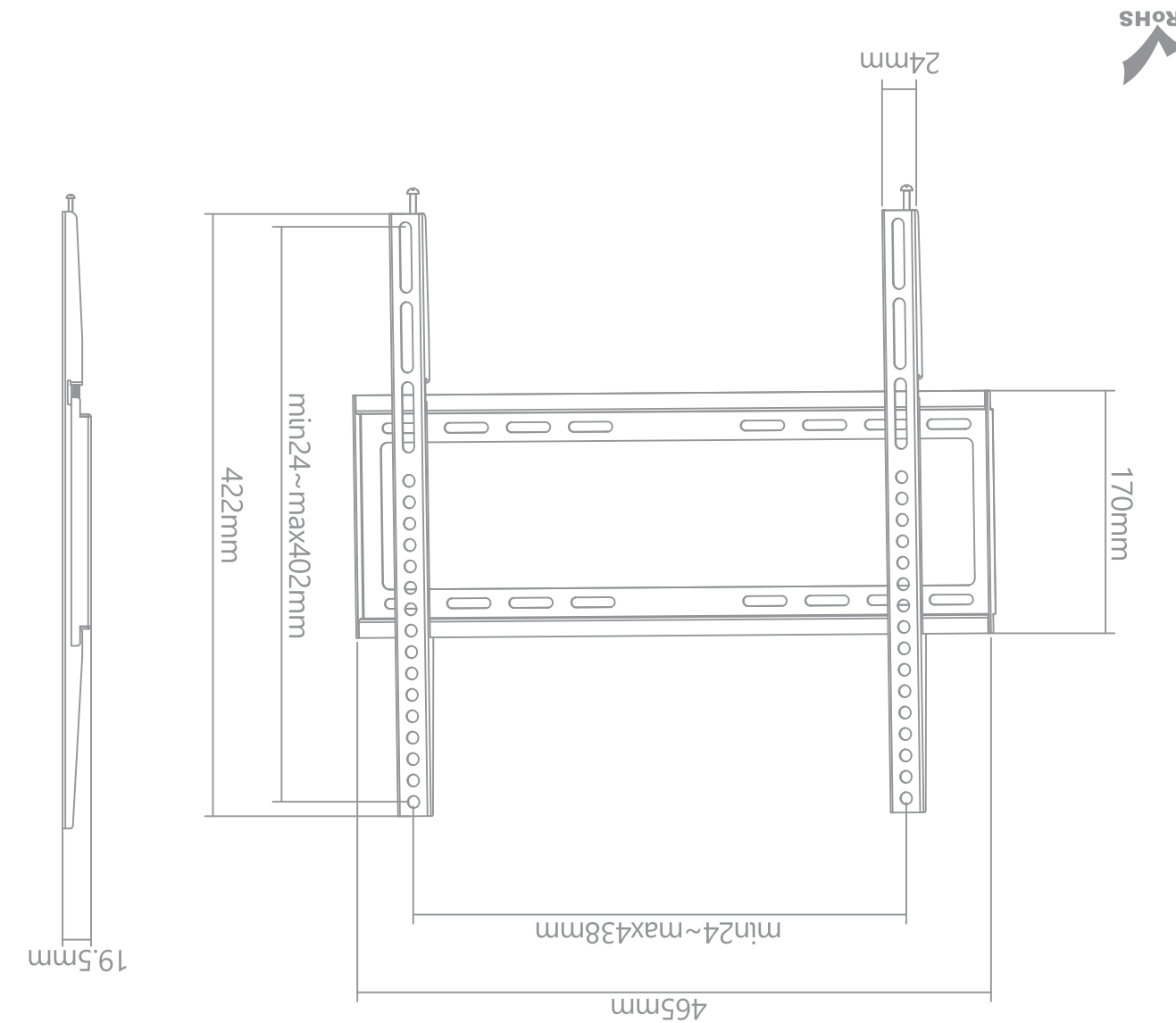
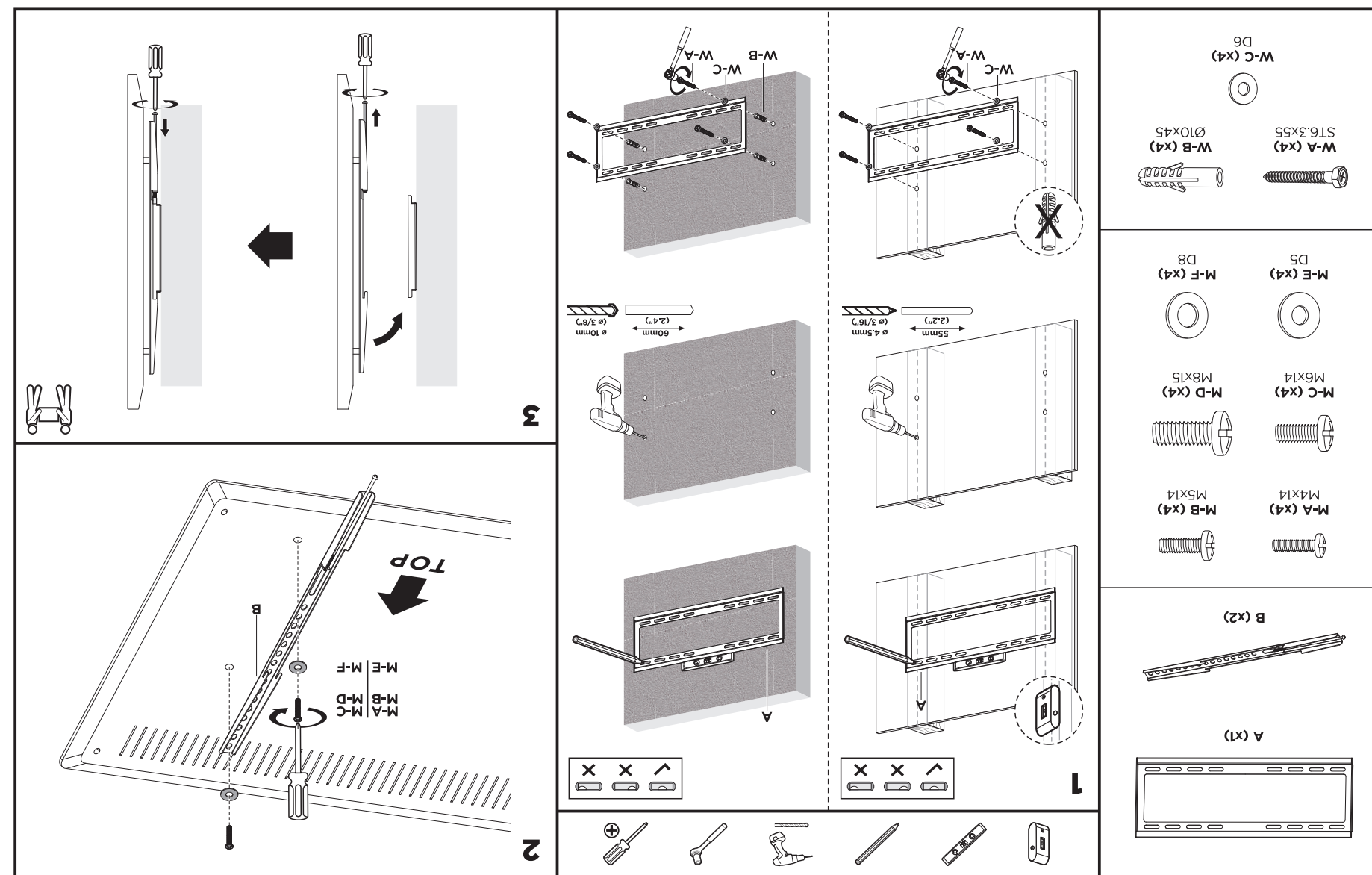


Carton Size: 19.69"(L)\*14.17"(W)\*7.87"(H)  
 Carton Quantity: 12pcs  
 Carton Weight: 28.82LBS

		<b>RoHS Compliant</b>
P/N: 502878		
Q'TY:	PCS	
N.W.:	KGS	
G.W.:	KGS	
Date Code:		
Vender Code: PS00539		

DRAWN BY	DATE: 2021/2/8	DESCRIPTION: TV WALL MOUNT KL22-44F	
CHECKED BY	SHEET 1 of 2	ITEM NO. 502878	
APPROVED BY	SCALE 1:1	REV. 00	UNIT:mm

175x20x470mm (E) 



FIXED TV WALL MOUNT Fits most **32"-55"** Flat TVs

FIXED TV WALL MOUNT Fits most **32"-55"** Flat TVs

**Brateck**<sup>®</sup>  
BRACKET TECHNOLOGY

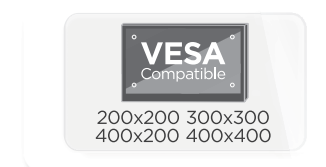


MOST  
**32"-55"**  
Screen Size

**RATED**  
35kg/77lbs

## FIXED TV WALL MOUNT

KL22-44F



FIXED TV WALL MOUNT Fits most **32"-55"** flat TVs

FIXED TV WALL MOUNT Fits most **32"-55"** flat TVs