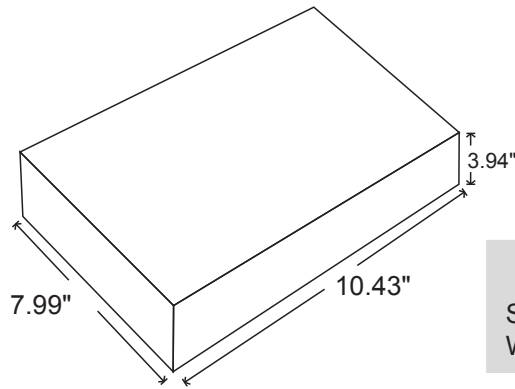


NOTE: CARTON MATERIAL MUST BE A=A

REVISION INFORMATION

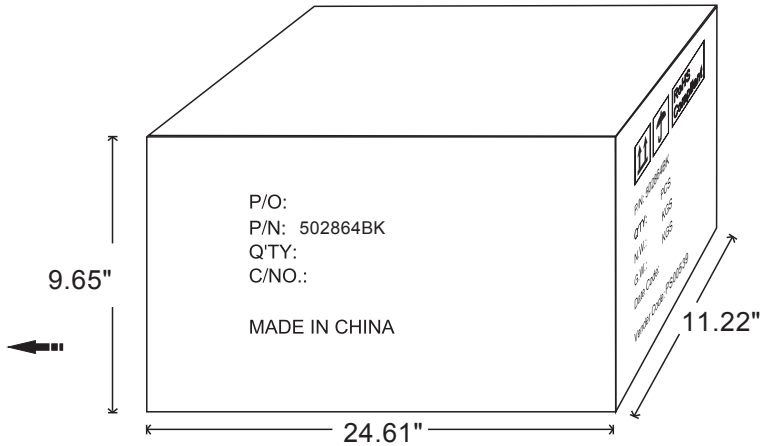
| Rev. | Rev. Date | Modified By | Brief Description |
|------|-----------|-------------|-------------------|
| | | | |



Unit package
 Size: 10.43"(L)*7.99"(W)*3.94"(H)
 Weight: 4.422LBS

P/O:
 P/N: 502864BK
 Q'TY:
 C/NO.:

 MADE IN CHINA



Carton Size: 24.61"(L)*11.22"(W)*9.65"(H)
 Carton Quantity: 6pcs
 Carton Weight: 27.59LBS

| | | |
|---------------|---------|-----------------------|
| | | RoHS Compliant |
| P/N: 502864BK | | |
| Q'TY: | PCS | |
| N.W.: | KGS | |
| G.W.: | KGS | |
| Date Code: | | |
| Vender Code: | PS00539 | |

| | | | |
|-------------|--------------------|--------------------------------------------------------------------|---------|
| | | | |
| DRAWN BY | DATE: 2021/2/18 | DESCRIPTION: Flat Panel Ceiling Mount Accessory PLB-CE8-0622 | |
| CHECKED BY | SHEET 1 of 2 | ITEM NO. 502864BK | |
| APPROVED BY | SCALE 1:1 | REV. 00 | UNIT:mm |

brown corrugated box

265x230x100mm

