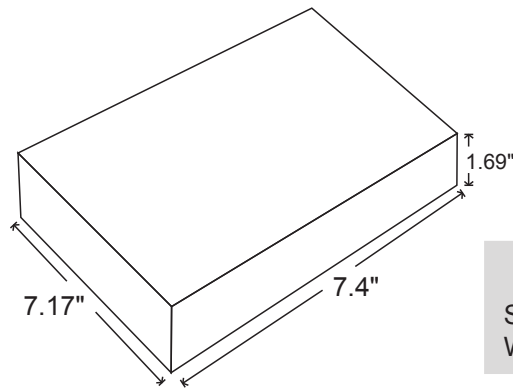


NOTE: CARTON MATERIAL MUST BE A=A

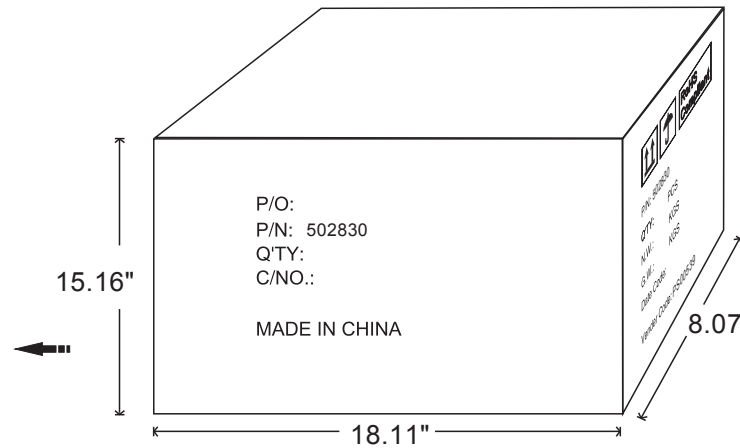
REVISION INFORMATION

Rev.	Rev. Date	Modified By	Brief Description



Unit package  
 Size: 7.17"(L)\*7.4"(W)\*1.69"(H)  
 Weight: 1.98LBS

P/O:  
 P/N: 502830  
 Q'TY:  
 C/NO.:  
  
 MADE IN CHINA

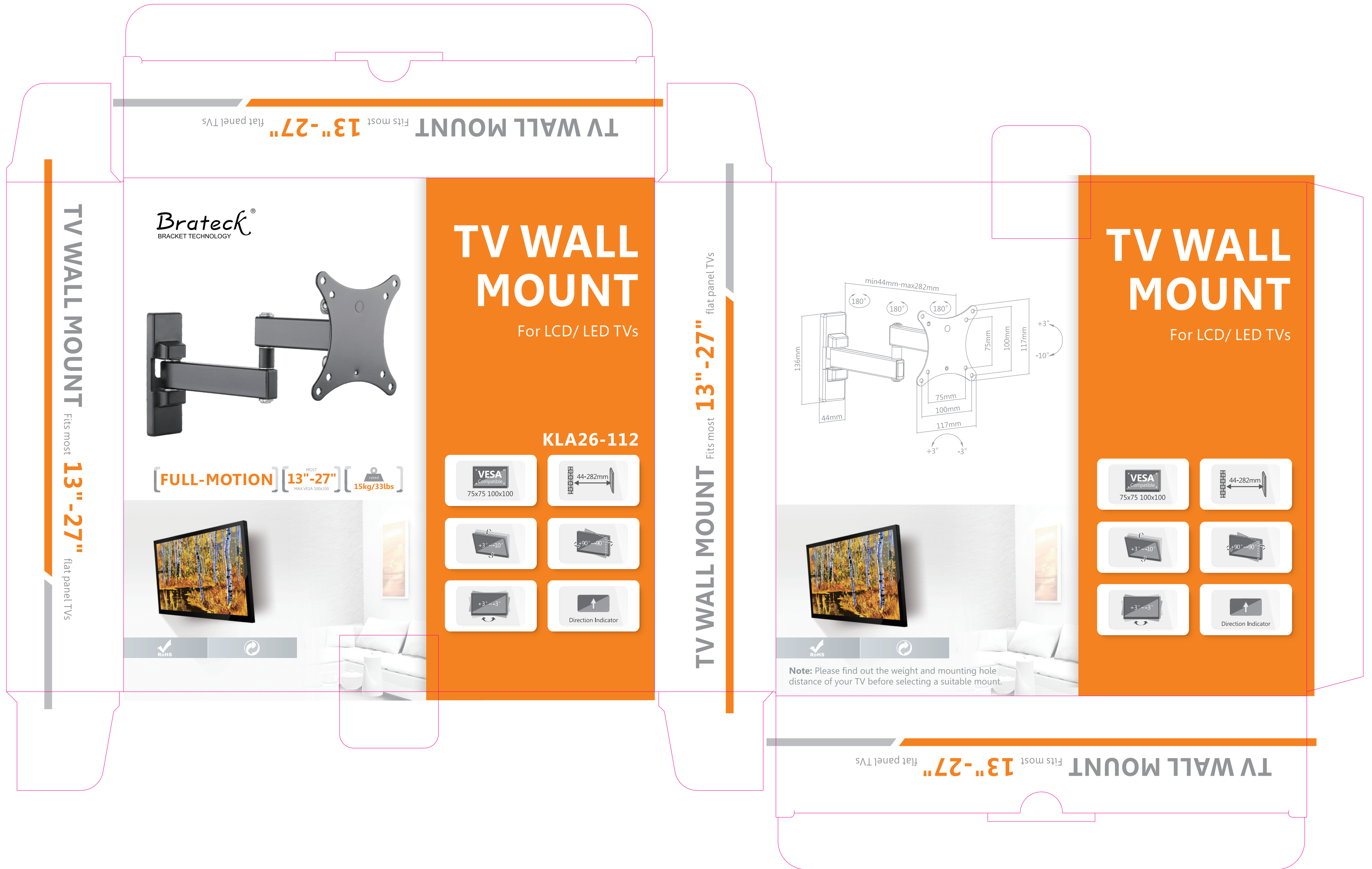


Carton Size: 18.11"(L)\*8.07"(W)\*15.16"(H)  
 Carton Quantity: 20pcs  
 Carton Weight: 39.49LBS

		<b>RoHS Compliant</b>
P/N: 502830		
Q'TY:	PCS	
N.W.:	KGS	
G.W.:	KGS	
Date Code:		
Vender Code:	PS00539	

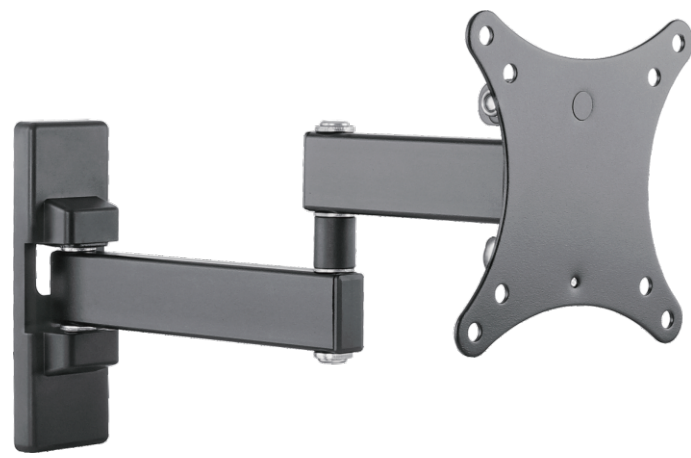
DRAWN BY	DATE: 2021/2/18	DESCRIPTION: Full Motion TV Wall Mount KLA26-112	
CHECKED BY	SHEET 1 of 2	ITEM NO. 502692BK	
APPROVED BY	SCALE 1:1	REV. 00	UNIT:mm

188x182x43mm



TV WALL MOUNT Fits most 13"-27" flat panel TVs

Brateck®  
BRACKET TECHNOLOGY



# TV WALL MOUNT

For LCD/LED TVs

KLA26-112

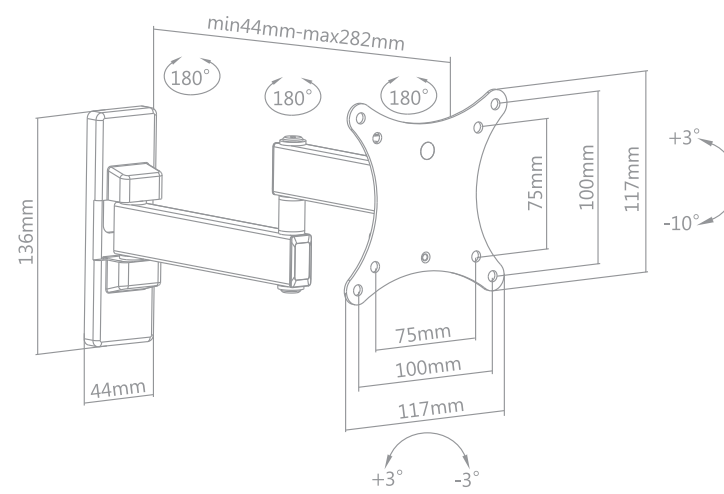
[FULL-MOTION] [13"-27" MOST MAX VESA 100x100] [15kg/33lbs]



RoHS

 VESA Compatible 75x75 100x100	

TV WALL MOUNT Fits most 13"-27" flat panel TVs



RoHS

Note: Please find out the weight and mounting hole distance of your TV before selecting a suitable mount.

# TV WALL MOUNT

For LCD/LED TVs

 VESA Compatible 75x75 100x100	

TV WALL MOUNT Fits most 13"-27" flat panel TVs