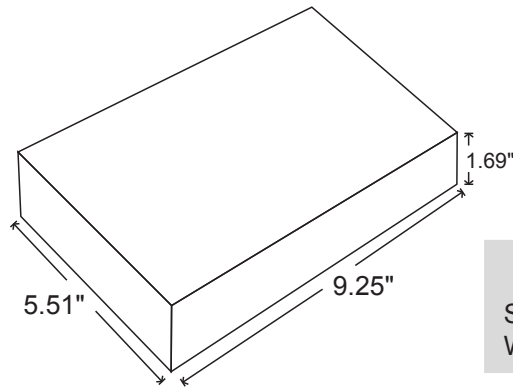


NOTE: CARTON MATERIAL MUST BE A=A

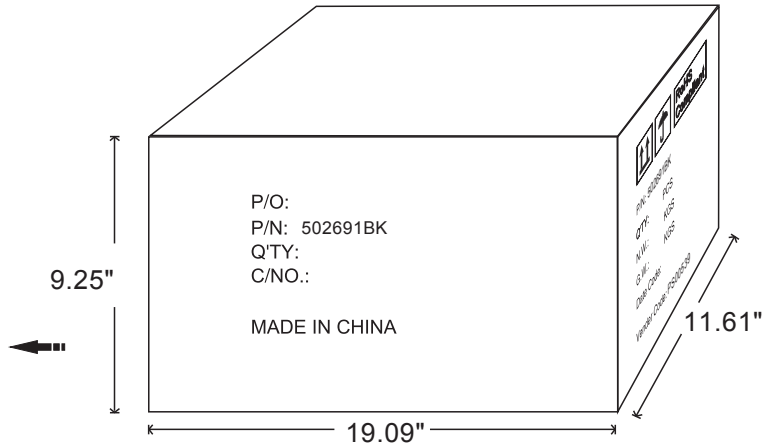
REVISION INFORMATION

Rev.	Rev. Date	Modified By	Brief Description



Unit package  
 Size: 9.25"(L)\*5.51"(W)\*1.69"(H)  
 Weight: 1.54LBS

P/O:  
 P/N: 502691BK  
 Q'TY:  
 C/NO.:  
  
 MADE IN CHINA



Carton Size: 19.09"(L)\*11.61"(W)\*9.25"(H)  
 Carton Quantity: 20pcs  
 Carton Weight: 32.67LBS

		<b>RoHS Compliant</b>
P/N: 502691BK		
Q'TY:	PCS	
N.W.:	KGS	
G.W.:	KGS	
Date Code:		
Vender Code: PS00539		

DRAWN BY	DATE: 2021/2/18	DESCRIPTION: Full Motion TV Wall Mount KLA26-111	
CHECKED BY	SHEET 1 of 2	ITEM NO. 502691BK	
APPROVED BY	SCALE 1:1	REV. 00	UNIT:mm

235x140x43mm

**TV WALL MOUNT** Fits most **13"-27"** flat panel TVs

For LCD/LED TVs

**TV WALL MOUNT**

Direction Indicator

VESA 75x75 100x100

44-192mm

RoHS

Note: Please find out the weight and mounting hole distance of your TV before selecting a suitable mount.

RoHS

**TV WALL MOUNT** Fits most **13"-27"** flat panel TVs

**Brateck**  
BRACKET TECHNOLOGY

**TV WALL MOUNT**  
KLA26-111  
For LCD/LED TVs

VESA Compatible 75x75 100x100

44-192mm

Direction Indicator

RoHS

**[FULL-MOTION]** [MOST] **13"-27"** [MAX VESA 100x100] [20kg/44lbs]

RoHS

**TV WALL MOUNT** Fits most **13"-27"** flat panel TVs