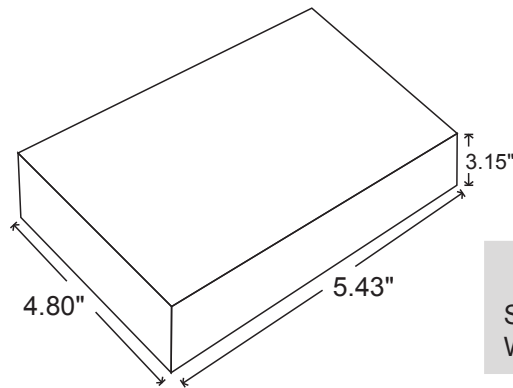


NOTE: CARTON MATERIAL MUST BE A=A

REVISION INFORMATION

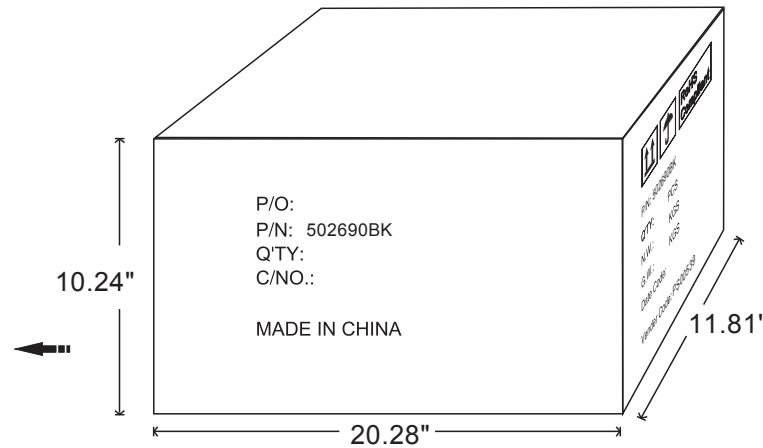
Rev.	Rev. Date	Modified By	Brief Description



Unit package
 Size: 5.43"(L)*4.80"(W)*3.15"(H)
 Weight: 1.21LBS

P/O:
 P/N: 502690BK
 Q'TY:
 C/NO.:

 MADE IN CHINA



Carton Size: 20.28"(L)*11.81"(W)*10.24"(H)
 Carton Quantity: 24pcs
 Carton Weight: 31.13LBS

		RoHS Compliant
P/N: 502690BK		
Q'TY:	PCS	
N.W.:	KGS	
G.W.:	KGS	
Date Code:		
Vender Code:	PS00539	

DRAWN BY	DATE: 2021/2/18	DESCRIPTION: Pivoting TV Wall Mount KLA26-110	
CHECKED BY	SHEET 1 of 2	ITEM NO. 502690BK	
APPROVED BY	SCALE 1:1	REV. 00	UNIT:mm

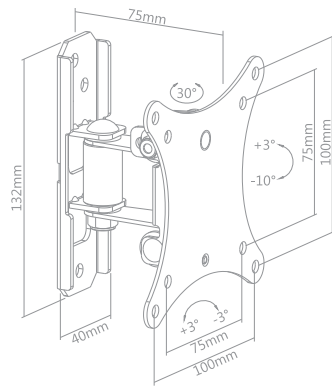
138x122x80mm



TV WALL MOUNT
KLA26-110



TV WALL MOUNT



TV WALL MOUNT



VESA 75x75 100x100

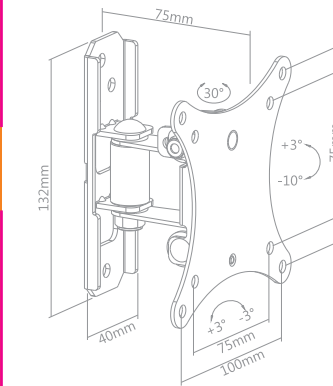
Three Times Strength Tested

75mm

+3° -10°

+3° -15°

Direction Indicator



Note: Please find out the weight and mounting hole distance of your TV before selecting a suitable mount.

TV WALL MOUNT

