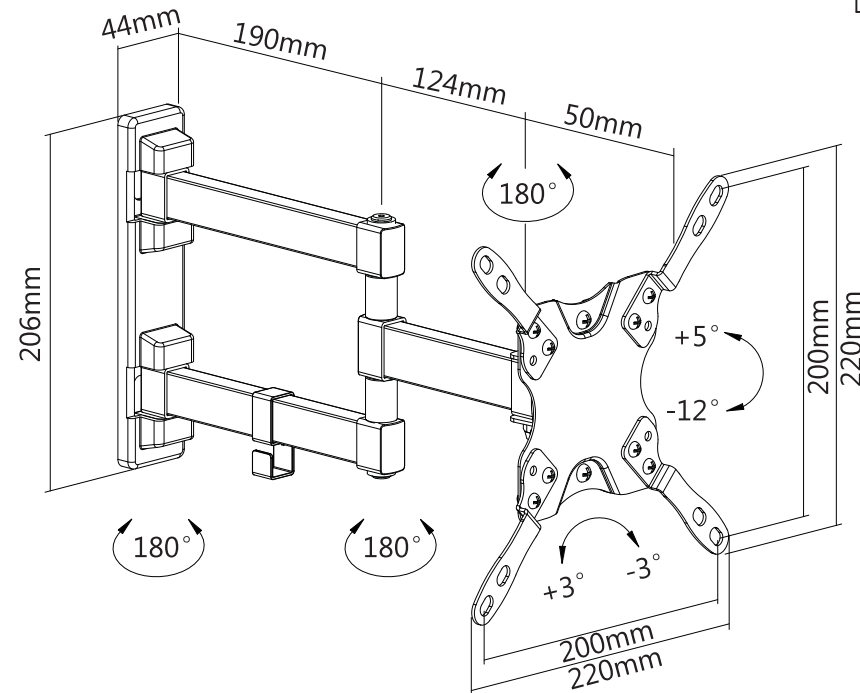


NOTE: ALL MATERIAL COMPLIANT ROHS STANDARD

REVISION INFORMATION

Rev.	Rev. Date	Modified By	Brief Description



A (x1)	B (x1)	C (x2)	D (x2)	E (x2)	F (x1)	M4x14 (x4) M-A	M5x14 (x4) M-B	M6x14 (x4) M-C	M8x20 (x4) M-D
						D5 (x4) M-E	D8 (x4) M-F		M-G (x8)
		G (x1)	H (x1)	I (x8)	J (x8)	W-A (x3)	W-B (x3)		W-C (x3)



NO.	PART NAME	SPECIFICATION DESCRIPTION	QT'Y	UNIT
③				
②				
①				

Unless specified on the drawing, tolerances are per the follows:
 . +1
 .x +0.2
 .xx +0.05

DRAWN BY	DATE: 2021/2/18	DESCRIPTION: Full Motion TV Wall Mount LDA21-223
CHECKED BY	SHEET 1 of 1	ITEM NO. 502686BK
APPROVED BY	SCALE 1:1	REV. 00 UNIT:mm

