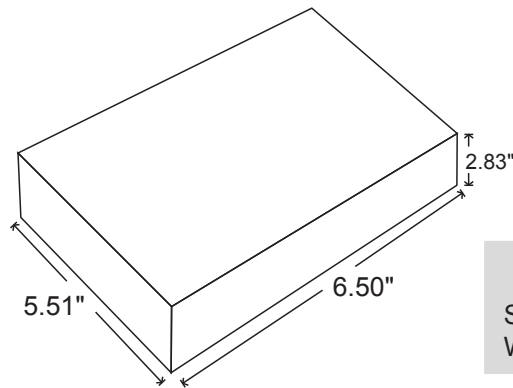


NOTE: CARTON MATERIAL MUST BE A=A

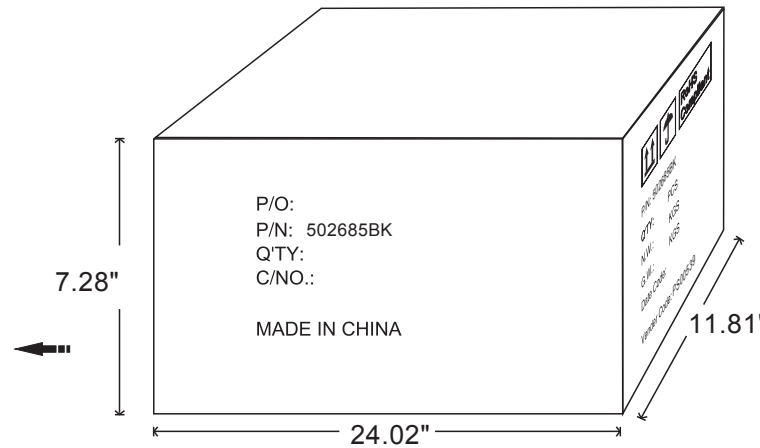
REVISION INFORMATION

Rev.	Rev. Date	Modified By	Brief Description



Unit package  
 Size: 6.50"(L)\*5.51"(W)\*2.83"(H)  
 Weight: 2.24LBS

P/O:  
 P/N: 502685BK  
 Q'TY:  
 C/NO.:  
  
 MADE IN CHINA



Carton Size: 24.02"(L)\*11.81"(W)\*7.28"(H)  
 Carton Quantity: 16pcs  
 Carton Weight: 37.49LBS

		<b>RoHS Compliant</b>
P/N: 502685BK		
Q'TY: PCS		
N.W.: KGS		
G.W.: KGS		
Date Code:		
Vender Code: PS00539		

DRAWN BY	DATE: 2021/2/18	DESCRIPTION: Full Motion TV Wall Mount LDA21-220	
CHECKED BY	SHEET 1 of 2	ITEM NO. 502685BK	
APPROVED BY	SCALE 1:1	REV. 00	UNIT:mm

165x140x72mm

