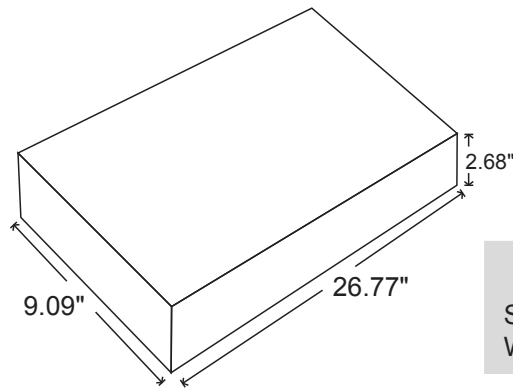


NOTE: CARTON MATERIAL MUST BE A=A

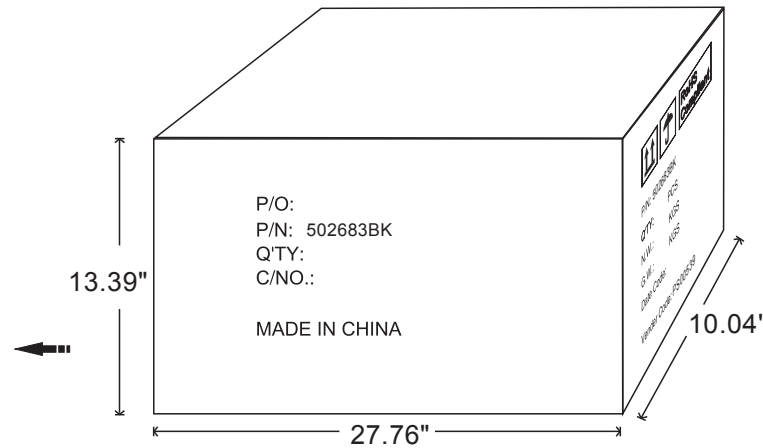
REVISION INFORMATION

Rev.	Rev. Date	Modified By	Brief Description



Unit package  
 Size: 26.77"(L)\*9.09"(W)\*2.68"(H)  
 Weight: 12.19LBS

P/O:  
 P/N: 502683BK  
 Q'TY:  
 C/NO.:  
  
 MADE IN CHINA



Carton Size: 27.76"(L)\*10.04"(W)\*13.39"(H)  
 Carton Quantity: 4pcs  
 Carton Weight: 50.6LBS

		<b>RoHS Compliant</b>
P/N: 502683BK		
Q'TY: PCS		
N.W.: KGS		
G.W.: KGS		
Date Code:		
Vender Code: PS00539		

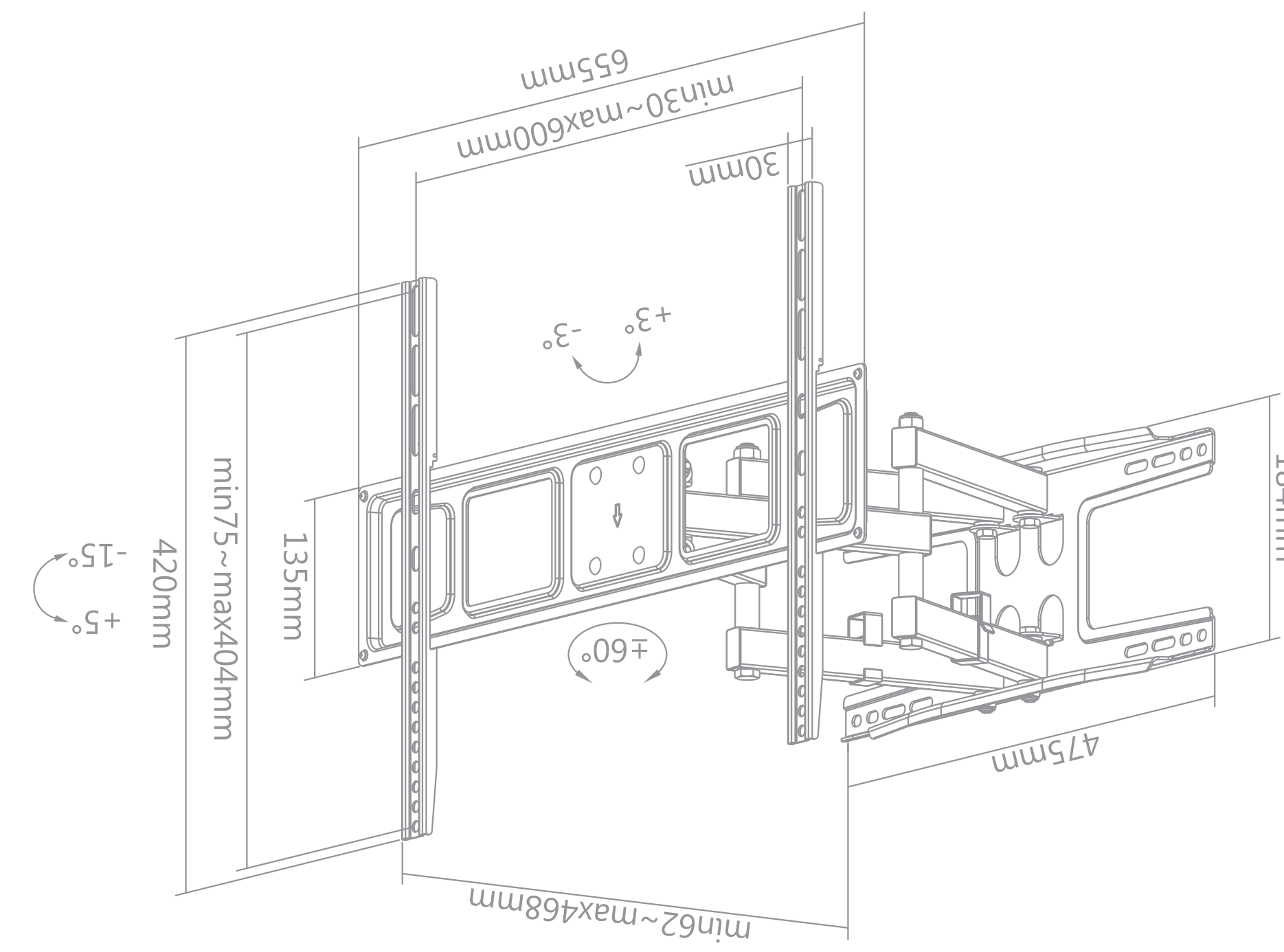
DRAWN BY	DATE: 2021/1/29	DESCRIPTION: Full Motion TV Wall Mount LPA63-466	
CHECKED BY	SHEET 1 of 2	ITEM NO. 502683BK	
APPROVED BY	SCALE 1:1	REV. 00	UNIT:mm

680x231x68mm

FULL-MOTION TV WALL MOUNT  
Fits most **37"-80"** flat & curved TVs



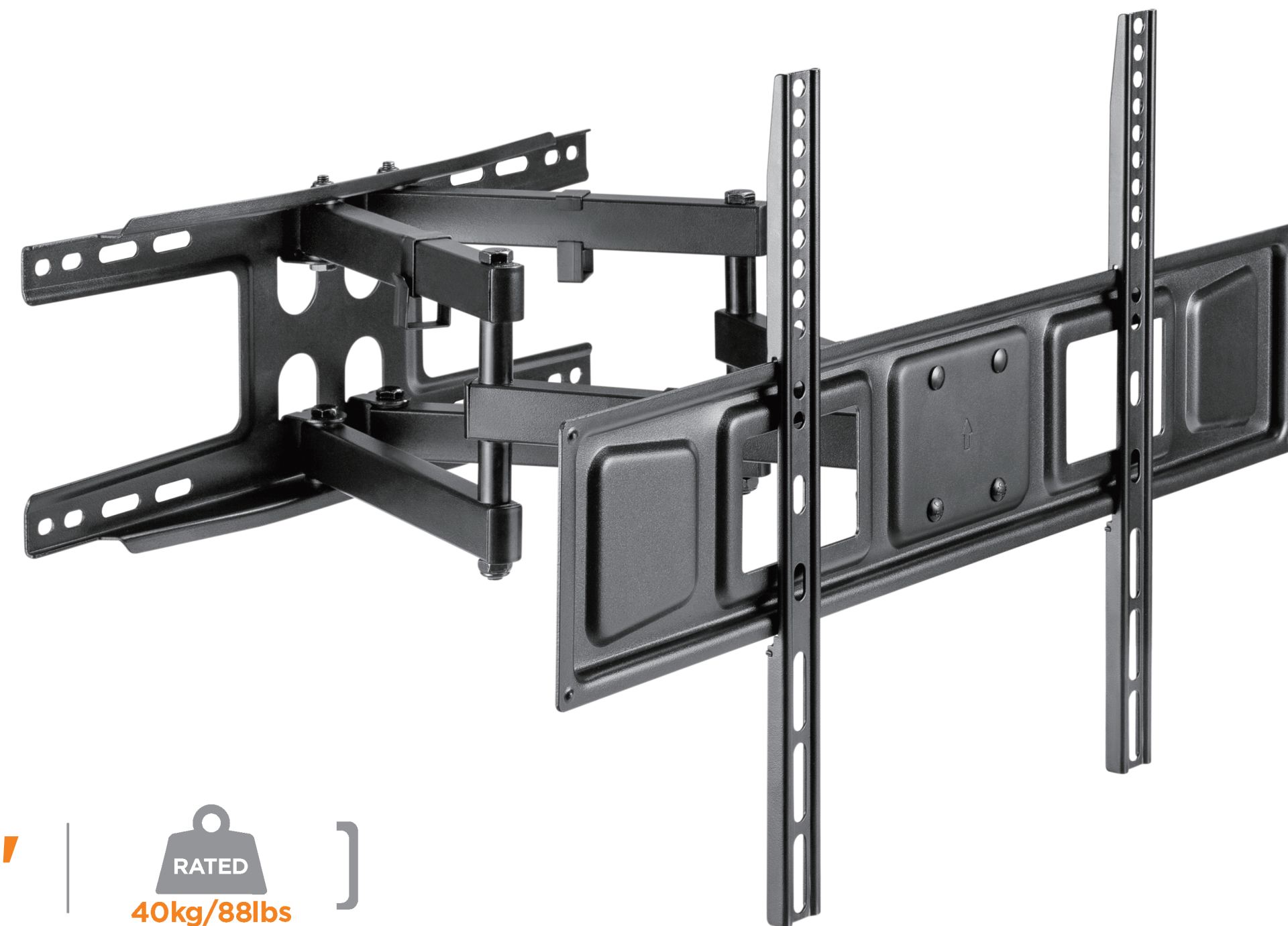
FULL-MOTION TV WALL MOUNT



FULL-MOTION TV WALL MOUNT  
Fits most **37"-80"** flat & curved TVs

FULL-MOTION TV WALL MOUNT Fits most **37"-80"** flat & curved TVs

Brateck®  
BRACKET TECHNOLOGY



MOST **37"-80"** Screen Size | **RATED 40kg/88lbs**

FULL-MOTION TV WALL MOUNT

LPA63-466



FULL-MOTION TV WALL MOUNT Fits most **37"-80"** flat & curved TVs